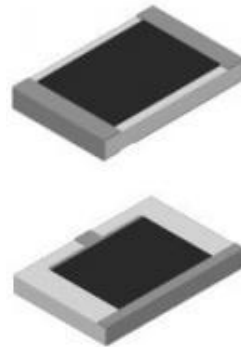


## Surface Mount Terminations

### Main Specifications

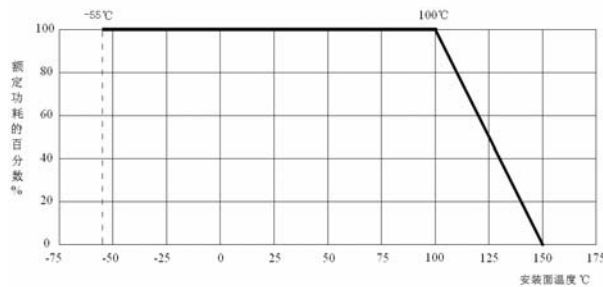
- ◇ **Nominal Impedance:** 50 Ω
- ◇ **Resistive Tolerance:** ±5% standard; ±2%, ±1% available
- ◇ **Power Rating:** 5W-500W
- ◇ **Frequency Range :** DC-18GHz
- ◇ **Operating Temperature:** -55°C to +150°C
- ◇ **Temperature Coefficient:** <150ppm/°C
- ◇ **RoHS Compliant**



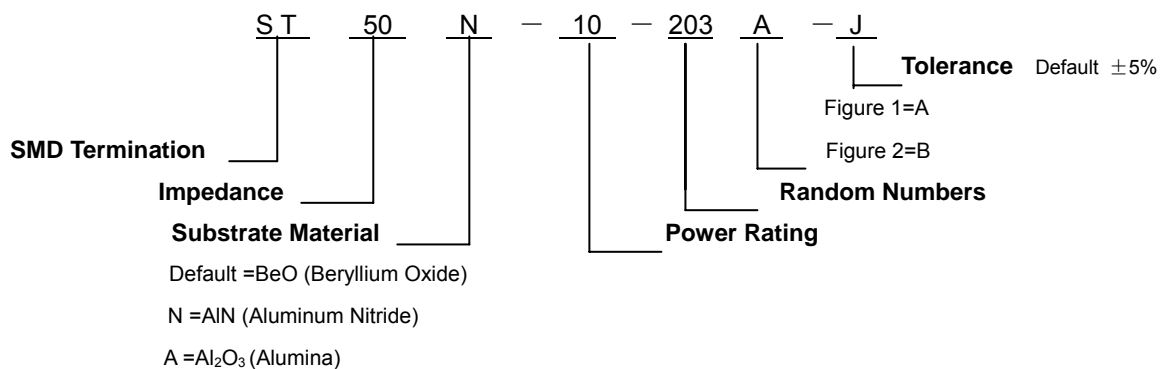
### Material Specifications

- ◇ **Resistor:** Thin Film
- ◇ **Substrate:** BeO, AlN, Al<sub>2</sub>O<sub>3</sub>
- ◇ **Mechanical Tolerance:** ±2%
- ◇ **Packaging:** Plastic Box

### Power Derating



### HOW TO ORDER



Resistance Tolerance			
Code	F	G	J
Tolerance	±1%	±2%	±5%

**Electrical Specifications and Dimensions**

Part Number	Power Rating (W)	Freq. (GHz)	VSWR (Max.)	Dimensions (mm)						Outline Drawing
				L	W	H	A	B	C	
ST50N-5-201A	5	DC-4	1.20 :1	2.54	1.27	0.6	0.8	0.5	N/A	Figure 1
ST50N-10-203A	10	DC-4	1.20 :1	2.54	1.27	0.6	0.8	0.5	N/A	Figure 1
ST50N-10-310B	10	DC-3	1.20 :1	5.0	2.5	1.0	2.3	0.5	0.9	Figure 2
ST50N-20-412A	20	DC-18	1.25 :1	2.5	5.0	0.6	0.86	0.5	N/A	Figure 1
ST50-20-406A	20	DC-18	1.25 :1	2.5	5.0	0.6	0.9	0.5	N/A	Figure 1
ST50N-20-305A	20	DC-4	1.20 :1	5.0	2.5	1.0	1.2	0.5	N/A	Figure 1
ST50N-20-308A	20	DC-6	1.20 :1	5.0	2.5	1.0	2.0	1.5	N/A	Figure 1
ST50N-50-319A	50	DC-4	1.20 :1	6.35	6.35	1.0	1.40	1.0	N/A	Figure 1
ST50-60-106A	60	DC-3	1.20 :1	6.0	6.0	1.0	1.0	1.0	N/A	Figure 1
ST50N-100-503A	100	DC-3	1.15:1	5.7	8.9	1.0	1.5	1.0	N/A	Figure 1
ST50N-100-316B	100	DC-3	1.25:1	6.35	6.35	1.0	1.35	0.9	0.9	Figure 2
ST50N-150-323A	150	DC-3	1.25 :1	6.35	9.5	1.0	1.4	1.0	N/A	Figure 1
ST50N-150-306A	150	DC-3	1.25 :1	9.5	6.35	1.0	1.4	1.0	N/A	Figure 1
ST50N-150-314B	150	DC-3	1.25:1	9.5	6.35	1.0	1.35	0.9	0.9	Figure 2
ST50N-250-525A	250	DC-3	1.20 :1	9.5	9.5	1.0	1.5	1.2	N/A	Figure 1
ST50-250-514A	250	DC-3	1.20 :1	9.5	9.5	1.0	1.4	1.0	N/A	Figure 1

\* We can supply custom product upon your request, please you contact us.

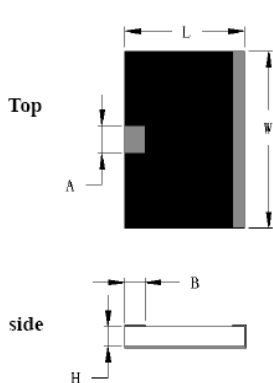
**Outline Drawing**


Figure 1

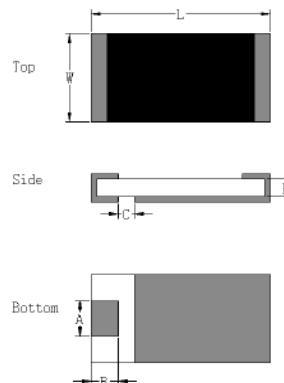
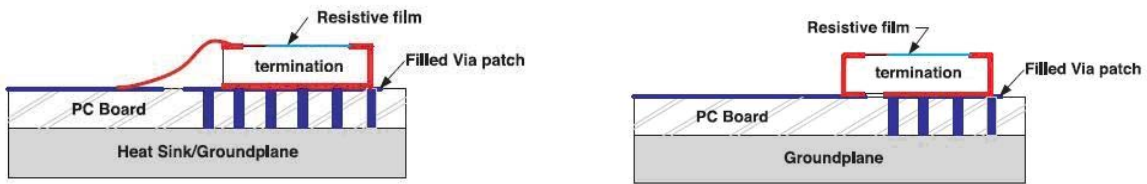


Figure 2

## Mounting and Attachment Recommendations



\* when attaching tabs or parts to a device, we recommend using controlled temperature iron (260°C).

\*\* Drill holes via the printed circuit board to dissipate heat and filled or plugged holes with solder.

## Example for Datasheet

### Surface Mount Terminations

Part Number: ST50N-50-319A-J

#### Electrical Specifications

- ◇ **Standard Resistance & Tol.:**  $50\ \Omega \pm 5\%$
- ◇ **Power Rating:** 50 W
- ◇ **Frequency Range:** DC-3GHz
- ◇ **VSWR (Max.):** 1.20: 1
- ◇ **Operating Temperature:**  $-55 \sim +150^{\circ}\text{C}$
- ◇ **Temperature Coefficient:**  $< 150\text{ppm}/^{\circ}\text{C}$
- ◇ **Substrate Material:** AlN
- ◇ **RoHS Compliant**

#### Outline Drawing (mm)

