

Tab & Cover Terminations

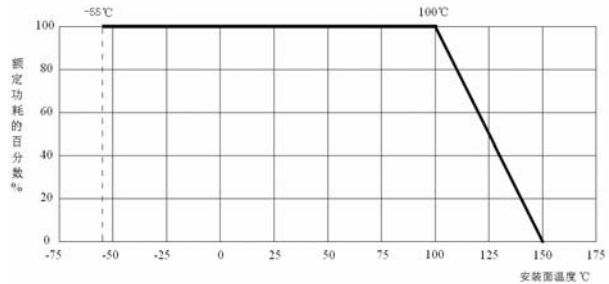
Main Specifications

- ◇ **Nominal Impedance:** 50 Ω
- ◇ **Resistive Tolerance:** ±5% standard; ±2%, ±1% available
- ◇ **Power Rating:** 3W-800W
- ◇ **Frequency Range:** DC-18GHz
- ◇ **Operating Temperature:** -55°C to +150°C
- ◇ **Temperature Coefficient:** <150ppm/°C
- ◇ **RoHS Compliant**

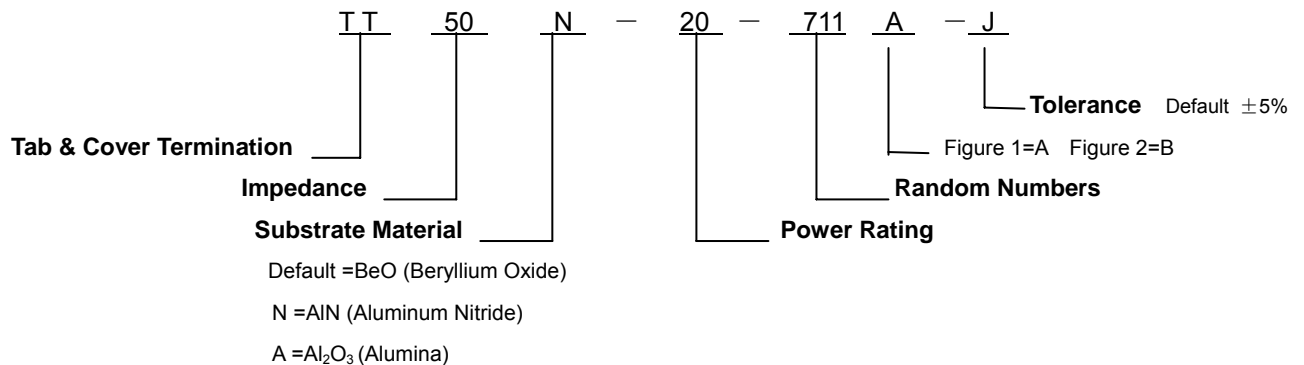
Material Specifications

- ◇ **Tab:** Beryllium Copper or Silver
- ◇ **Cover:** Alumina
- ◇ **Resistor:** Thin Film
- ◇ **Solder:** SN96
- ◇ **Substrate:** BeO, AlN, Al₂O₃
- ◇ **Mechanical Tolerance:** ±2%
- ◇ **Packaging:** Plastic Box

Power Derating



HOW TO ORDER



Resistive Tolerance			
Code	F	G	J
Tolerance	±1%	±2%	±5%

Electrical Specifications and Dimensions

Part Number	Power Rating (W)	Freq. (GHz)	VSWR (Max.)	Dimensions (mm)						Outline Drawing
				L	W	T	H	I	Tw	
TT50-10-204A	10	DC-12.4	1.20:1	3.0	2.5	0.6	1.4	4	1.4	Figure 1
TT50N-20-706A	20	DC-3	1.20:1	4	4	1	1.8	4	1	Figure 1
TT50-20-704A	20	DC-6	1.25:1	4	4	1	1.8	4	1	Figure 1
TT50N-20-315A	20	DC-6	1.20:1	2.5	5.0	1	1.8	4	1	Figure 1
TT50N-20-308A	20	DC-6	1.25:1	5.0	2.5	1	1.8	4	1	Figure 1
TT50N-20-317A	20	DC-18	1.30:1	2.5	5.0	1	1.8	4	1	Figure 1
TT50-20-402A	20	DC-18	1.30:1	2.5	5.0	0.6	1.3	4	1	Figure 1
TT50N-60-311A	60	DC-3	1.25:1	6.35	6.35	1	1.8	6	1	Figure 1
TT50-60-106A	60	DC-6	1.20:1	6	6	1	1.8	6	1	Figure 1
TT50N-100-503B	100	DC-3	1.20:1	5.7	8.9	1	N/A	6	1.4	Figure 2
TT50N-150-306B	150	DC-3	1.25:1	9.5	6.35	1	N/A	6	1.4	Figure 2
TT50N-250-525B	250	DC-3	1.20:1	9.5	9.5	1	N/A	6	1.4	Figure 2
TT50-250-514B	250	DC-3	1.20:1	9.5	9.5	1	N/A	6	1.4	Figure 2
TT50-250-707B	250	DC-3	1.20:1	10.0	12.7	1.5	N/A	6	1.4	Figure 2
TT50-300-405B	300	DC-3	1.25:1	12.7	12.7	1.5	N/A	8	2.4	Figure 2
TT50-500-403B	500	DC-1.5	1.30:1	12.7	12.7	1.5	N/A	8	2.4	Figure 2

* We can supply custom product upon your request, please you contact us.

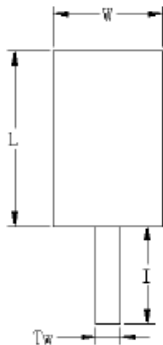
Outline Drawing


Figure 1

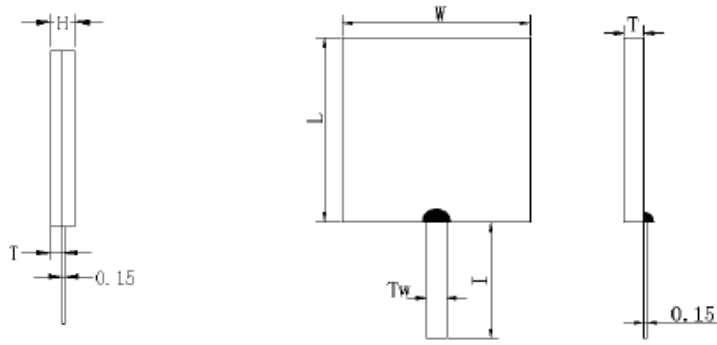
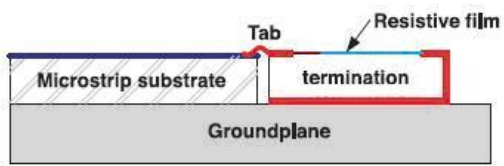


Figure 2

Mounting and Attachment Recommendations



* When attaching tabs or parts to a device, we recommend using controlled temperature iron (260°C).

** Be sure to form a small loop in the tab will act as a strain relief as the heat is dissipated.

Example for Datasheet

Tab & Cover Terminations

Part Number: TT50-60-106A-J

Electrical Specifications

- ◇ **Nominal Impedance:** $50 \Omega \pm 5\%$
- ◇ **Power Rating:** 60 W
- ◇ **Frequency:** DC-6GHz
- ◇ **VSWR(Max.):** 1.20:1
- ◇ **Operating Temperature:** $-55 \sim +150^{\circ}\text{C}$
- ◇ **Temperature Coefficient:** $< 150\text{ppm}/^{\circ}\text{C}$
- ◇ **Substrate Material:** BeO
- ◇ **Standard Lead Length:** 6mm
- ◇ **RoHS Compliant**

Outline Drawing (mm)

