

## Broadband Coaxial Circulators

Part Number: KTBC-501H

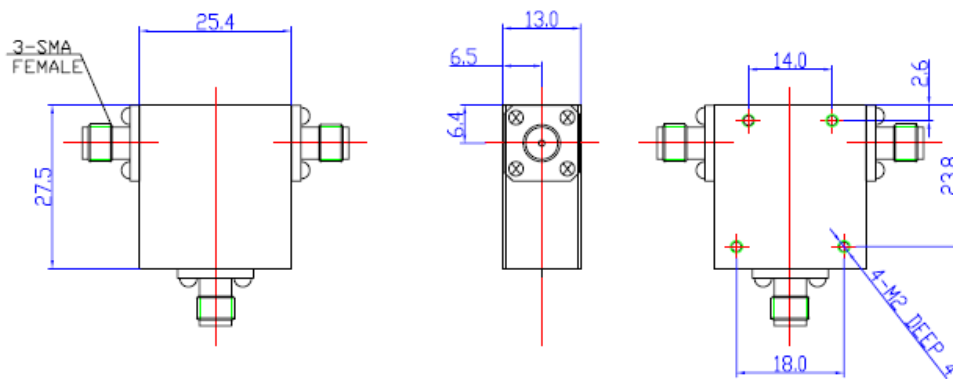
### Main Features:

- Broad Frequency Range: 3GHz - 6GHz, Bandwidth up to Full
- High Isolation, Low Insertion Loss, High Power Handling
- Wide Operating Temperature: -30°C~+70°C
- Commercial, Military and Space Applications

### Electrical Specifications at Room Temperature:

Part Number	Freq. Range (GHz)	Bandwidth Max. (MHz)	Insertion Loss Max. (dB)	Isolation Min. (dB)	VSWR Max.	Forward Power (W)	Connector Type
KTBC-501H	3 - 6	full	0.6	16	1.40	20	SMA

### Mechanical Dimensions (mm):



### HOW TO ORDER

