

Coaxial Isolators

Part Number: KTCI-801

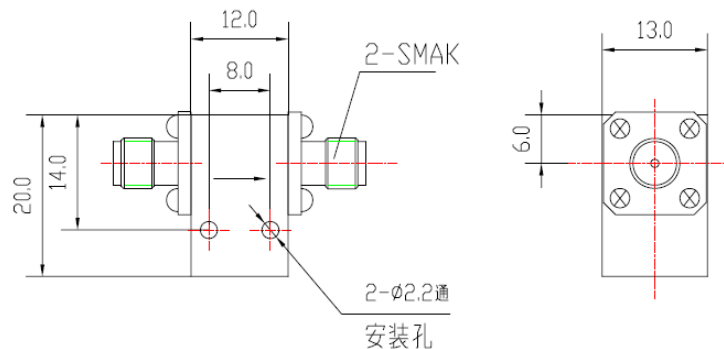
Main Features:

- Frequency Range: 7GHz - 18GHz
- Small Size, High Isolation, Low Insertion Loss
- Wide Operating Temperature: -40°C~+75°C
- Commercial, Military and Space Applications

Electrical Specifications at Room Temperature:

Part Number	Freq. Range (GHz)	Bandwidth Max. (MHz)	Insertion Loss Max. (dB)	Isolation Min. (dB)	VSWR Max.	Reverse Power (W)	Connector Type
KTCI-801	7 - 18	500	0.3	25	1.20	10	SMA
KTCI-801	7 - 18	1000	0.4	23	1.20	10	SMA

Mechanical Dimensions (mm):



HOW TO ORDER

