

## Coaxial Isolators

Part Number: KTCI-401D

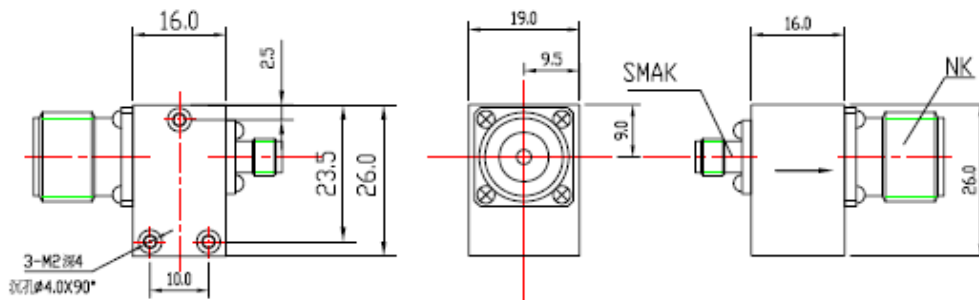
### Main Features:

- Frequency Range: 3.5GHz - 6.5GHz
- Small Size, High Isolation, Low Insertion Loss
- Wide Operating Temperature: -40°C~+75°C
- Commercial, Military and Space Applications

### Electrical Specifications at Room Temperature:

Part Number	Freq. Range (GHz)	Bandwidth Max. (MHz)	Insertion Loss Max. (dB)	Isolation Min. (dB)	VSWR Max.	Reverse Power (W)	Connector Type
KTCI-401D	3.5 - 6.5	300	0.3	25	1.20	10	N
KTCI-401D	3.5 - 6.5	600	0.4	23	1.20	10	N

### Mechanical Dimension (mm):



### HOW TO ORDER

