

Coaxial Isolators

Part Number: KTCI-201

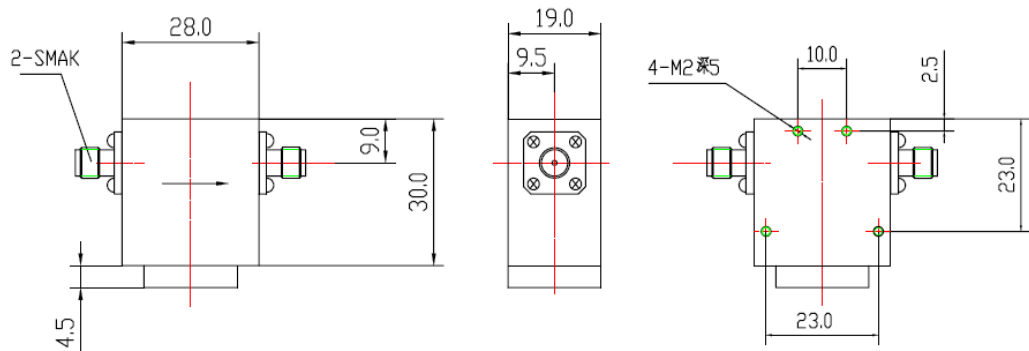
Main Features:

- Frequency Range: 1.8GHz - 3.0GHz
- Small Size, High Isolation, Low Insertion Loss
- Wide Operating Temperature: -30°C~+70°C
- Commercial, Military and Space Applications

Electrical Specifications at Room Temperature:

Part Number	Freq. Range (GHz)	Bandwidth Max. (MHz)	Insertion Loss Max. (dB)	Isolation Min. (dB)	VSWR Max.	Reverse Power (W)	Connector Type
KTCI-201	1.8 - 3.0	200	0.3	25	1.20	10	SMA/N
KTCI-201	1.8 - 3.0	400	0.4	23	1.20	10	SMA/N
KTCI-201	1.8 - 3.0	1000	0.6	18	1.30	10	SMA/N

Mechanical Dimensions (mm):



HOW TO ORDER

