

Drop-in Isolators

Part Number: KTDI-302C

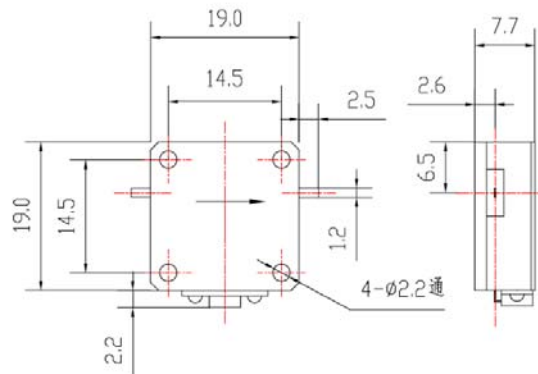
Main Features:

- Broad Option of Frequency Range: 3GHz - 6GHz
- High Isolation, Low Insertion Loss, Small Size
- Wide Operating Temperature: -30°C~+70°C
- Commercial, Military and Space Applications

Electrical Specifications at Room Temperature:

Part Number	Freq. Range (GHz)	Bandwidth Max. (MHz)	Insertion Loss Max. (dB)	Isolation Min. (dB)	VSWR Max.	Reverse Power (W)	Connector Type
KTDI-302C	3 - 6	300	0.3	23	1.20	10	TAB
KTDI-302C	3 - 6	500	0.5	20	1.25	10	TAB

Mechanical Dimensions (mm):



HOW TO ORDER

