

Waveguide Isolators

Part Number: KTWI84-62.2

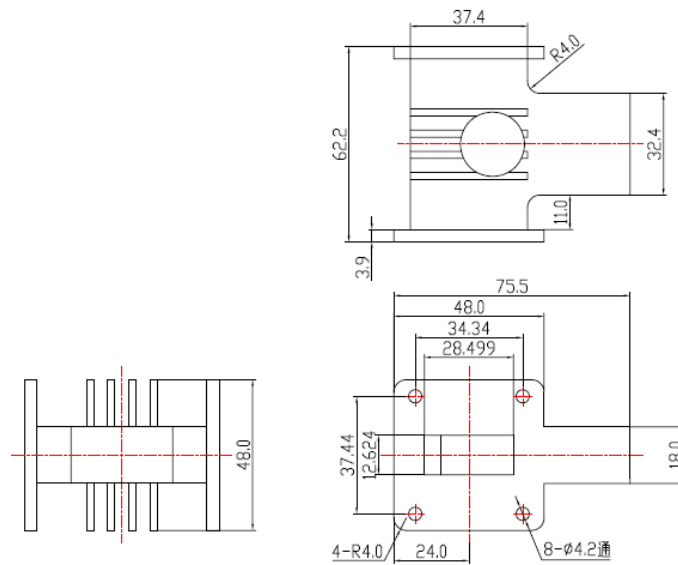
Main Features:

- Broad Frequency Range: 7.25GHz -7.75GHz
- High Isolation, Low Insertion Loss, Small Size
- Wide Operating Temperature: -40°C~+80°C
- Commercial, Military and Space Applications

Electrical Specifications at Room Temperature:

Part Number	Freq. Range (GHz)	Bandwidth Max. (MHz)	Insertion Loss Max. (dB)	Isolation Min. (dB)	VSWR Max.	Average Power (W)	Waveguide Type
KTWI84-62.2	7.25 - 7.75	full	0.3	23	1.20	200	WR112

Mechanical Dimensions (mm):



HOW TO ORDER

