

## Drop-in Circulators

Part Number: KTDC- 802

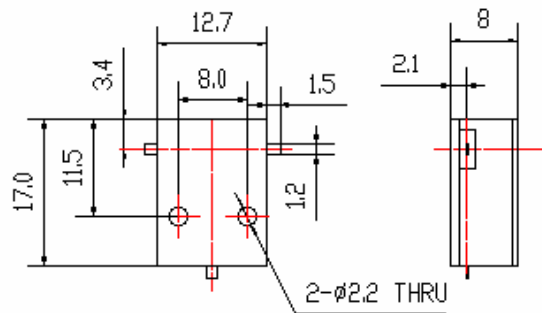
### Main Features:

- Broad Option of Frequency Range: 7GHz - 18GHz
- High Isolation, Low Insertion Loss, Small Size
- Wide Operating Temperature: -40°C~+75°C
- Commercial, Military and Space Applications

### Electrical Specifications at Room Temperature:

Part Number	Freq. Range (GHz)	Bandwidth Max. (MHz)	Insertion Loss Max. (dB)	Isolation Min. (dB)	VSWR Max.	Average Power (W)	Connector Type
KTDC-802	7 - 18	300	0.3	23	1.20	10	TAB
KTDC-802	7 - 18	1000	0.4	20	1.20	10	TAB

### Mechanical Dimensions (mm):



### HOW TO ORDER

