

Drop-in Circulators

Part Number: KTDC-2001

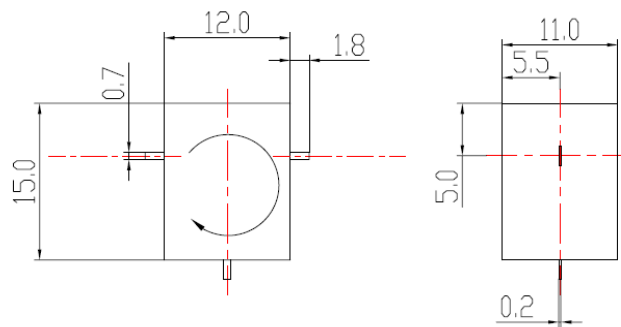
Main Features:

- Broadband Frequency Range: 18GHz - 25GHz
- Small Size, High Isolation, Low Insertion Loss
- Wide Operating Temperature: - 40°C~+75°C
- Commercial, Military and Space Applications

Electrical Specifications at Room Temperature:

Part Number	Freq. Range (GHz)	Bandwidth Max. (MHz)	Insertion Loss Max. (dB)	Isolation Min. (dB)	VSWR Max.	Average Power (W)	Connector Type
KTDC-2001	18 - 25	1000	0.6	18	1.35	10	TAB

Mechanical Dimensions (mm):



HOW TO ORDER

