

Coaxial Isolators

Part Number: KTCI-0701M

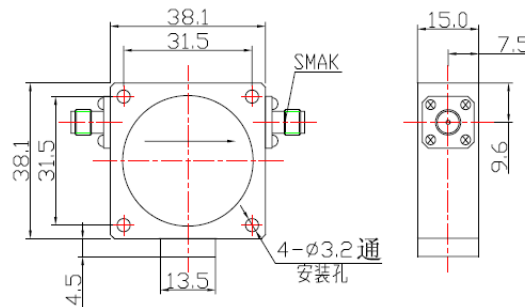
Main Features:

- Frequency Range: 0.4 - 0.6GHz, 0.6 - 1.0GHz
- Small Size, High Isolation, Low Insertion Loss
- Wide Operating Temperature: -15°C~+60°C, -30°C~+70°C
- Commercial, Military and Space Applications

Electrical Specifications at Room Temperature:

Part Number	Freq. Range (GHz)	Bandwidth Max. (MHz)	Insertion Loss Max. (dB)	Isolation Min. (dB)	VSWR Max.	Reverse Power (W)	Connector Type
KTCI-0701M	0.4 - 0.6	10	0.3	25	1.20	10	SMA
KTCI-0701M	0.6 - 1.0	30	0.3	25	1.20	10	SMA
KTCI-0701M	0.6 - 1.0	200	0.4	20	1.25	10	SMA

Mechanical Dimensions (mm):



HOW TO ORDER

