

Coaxial Circulators

Part Number: **KTCC101-S1**

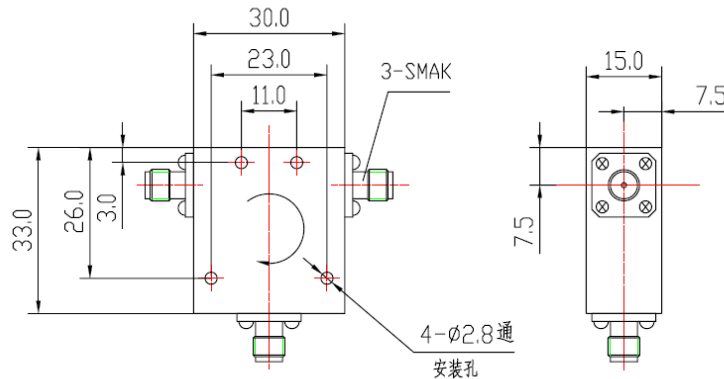
Main Features:

- Frequency Range: 0.8GHz - 1.2GHz
- High Isolation, Low Insertion Loss, High Power Handling, Small Size
- Wide Operating Temperature: -30°C ~ +70°C
- Commercial, Military and Space Applications

Electrical Specifications at Room Temperature:

Part Number	Freq. Range (GHz)	Bandwidth Max. (MHz)	Insertion Loss Max (dB)	Isolation Min. (dB)	VSWR Max.	Average Power (W)	Connector Type
KTCC101-S1	0.8 -1.2	70	0.3	23	1.20	100	SMA
KTCC101-S1	0.8 -1.2	200	0.5	20	1.25	100	SMA

Mechanical Dimensions (mm):



HOW TO ORDER

