

Drop-in Isolators

Part Number: KTDI-1302

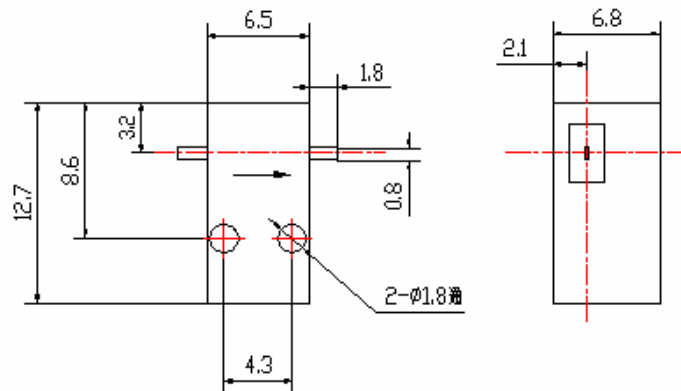
Main Features:

- Broad Option of Frequency Range: 9GHz - 18GHz
- High Isolation, Low Insertion Loss, Small Size
- Wide Operating Temperature : -40°C~+75°C
- Commercial, Military and Space Applications

Electrical Specifications at Room Temperature:

| Part Number | Freq. Range (GHz) | Bandwidth Max. (MHz) | Insertion Loss Max. (dB) | Isolation Min. (dB) | VSWR Max. | Reverse Power (W) | Connector Type |
|-------------|-------------------|----------------------|--------------------------|---------------------|-----------|-------------------|----------------|
| KTDI-1302 | 9 - 18 | 100 | 0.4 | 23 | 1.20 | 5 | TAB |

Mechanical Dimensions (mm):



HOW TO ORDER

