

## Drop-in Circulators

Part Number: KTDC- 0302A

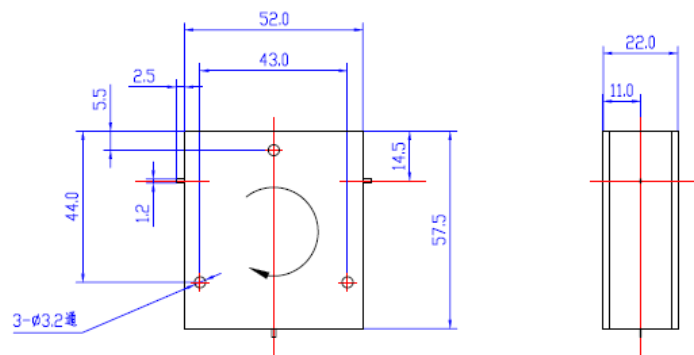
### Main Features:

- Frequency Range: 0.3GHz - 0.4GHz
- Small Size, High Isolation, Low Insertion Loss, High Power Handling
- Wide Operating Temperature: -15°C~+60°C
- Commercial, Military and Space Applications

### Electrical Specifications at Room Temperature:

| Part Number | Freq. Range (GHz) | Bandwidth Max. (MHz) | Insertion Loss Max. (dB) | Isolation Min. (dB) | VSWR Max. | Average Power (W) | Connector Type |
|-------------|-------------------|----------------------|--------------------------|---------------------|-----------|-------------------|----------------|
| KTDC-0302A  | 0.3 - 0.4         | 30                   | 0.3                      | 23                  | 1.20      | 150               | TAB            |

### Mechanical Dimensions (mm):



### HOW TO ORDER

