

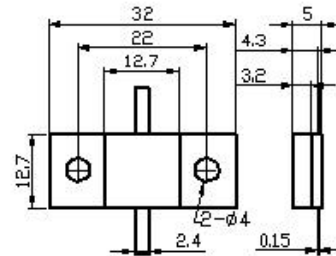
**Flange Resistors**

**Part Number: FR100-XX-0.8-602-D-M-J**

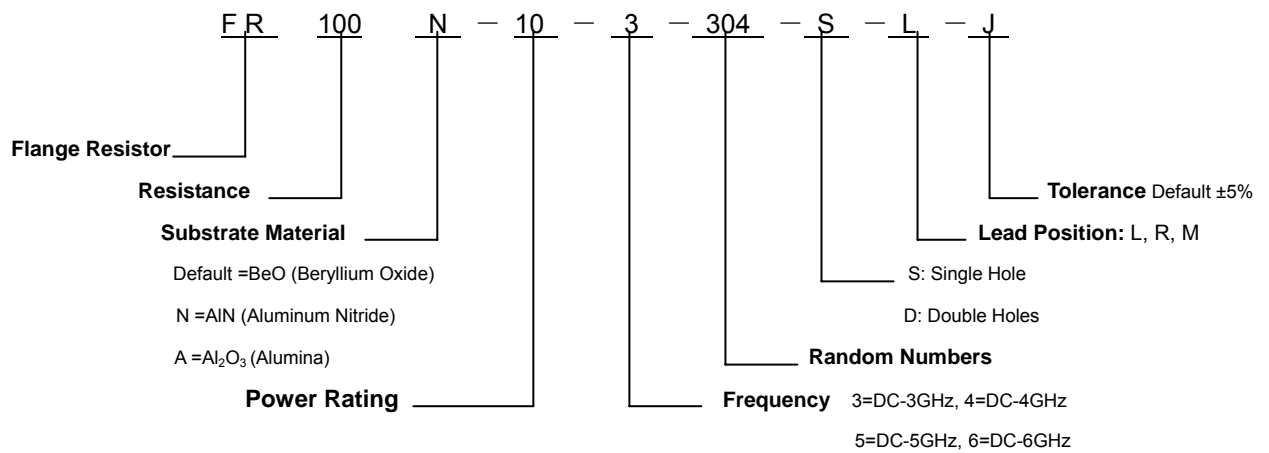
**Electrical Specifications**

- ✧ **Resistance:** 100 Ω
- ✧ **Resistive Tolerance:** ±5%
- ✧ **Power Rating:** 400W, 500 W
- ✧ **Frequency:** DC-0.8GHz
- ✧ **Operating Temperature:** -55°C to +150°C
- ✧ **Temperature Coefficient:** <150ppm/°C
- ✧ **Substrate:** BeO
- ✧ **Lead Length:** 8mm
- ✧ **RoHS Compliant**

**Outline Drawing (mm)**



**HOW TO ORDER**



| Resistance Tolerance |     |     |     |
|----------------------|-----|-----|-----|
| Code                 | F   | G   | J   |
| Tolerance            | ±1% | ±2% | ±5% |