

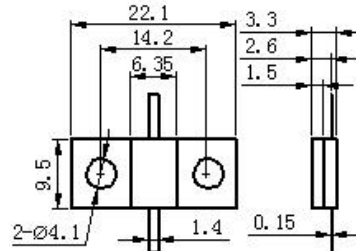
**Flange Resistors**

**Part Number: FR100-150-3-302-D-M-J**

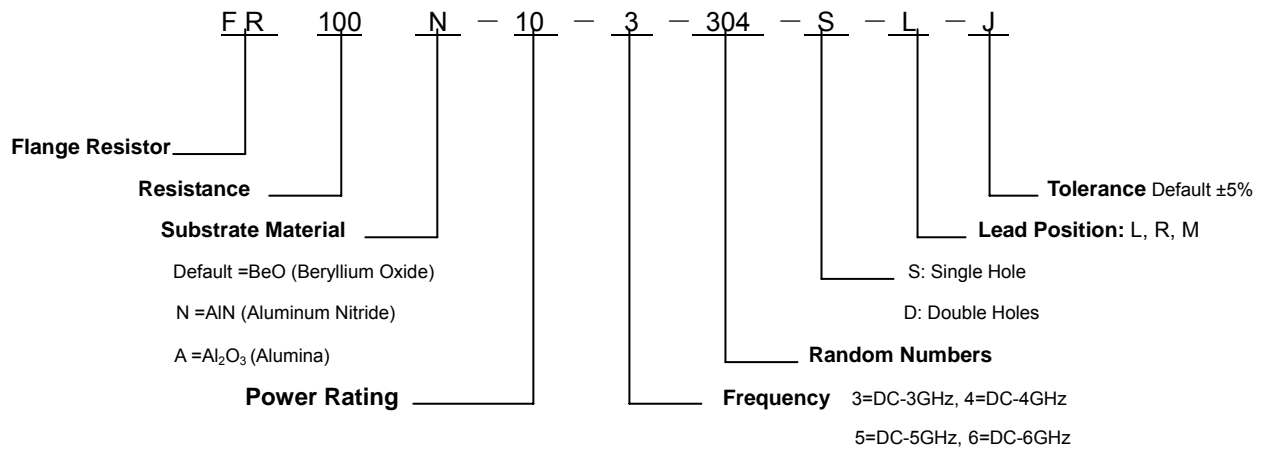
**Electrical Specifications**

- ✧ **Resistance:** 100 Ω
- ✧ **Resistive Tolerance:** ±5%
- ✧ **Power Rating:** 150W
- ✧ **Frequency:** DC-3GHz
- ✧ **Operating Temperature:** -55°C to +150°C
- ✧ **Temperature Coefficient:** <150ppm/°C
- ✧ **Substrate:** BeO
- ✧ **Lead Length:** 6mm
- ✧ **RoHS Compliant**

**Outline Drawing (mm)**



**HOW TO ORDER**



Resistance Tolerance			
Code	F	G	J
Tolerance	±1%	±2%	±5%