

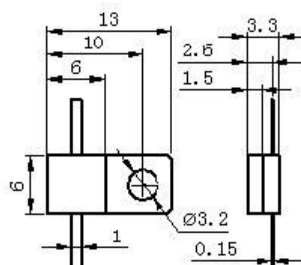
Flange Resistors

Part Number: FR100-XX-4-101-S-L-J

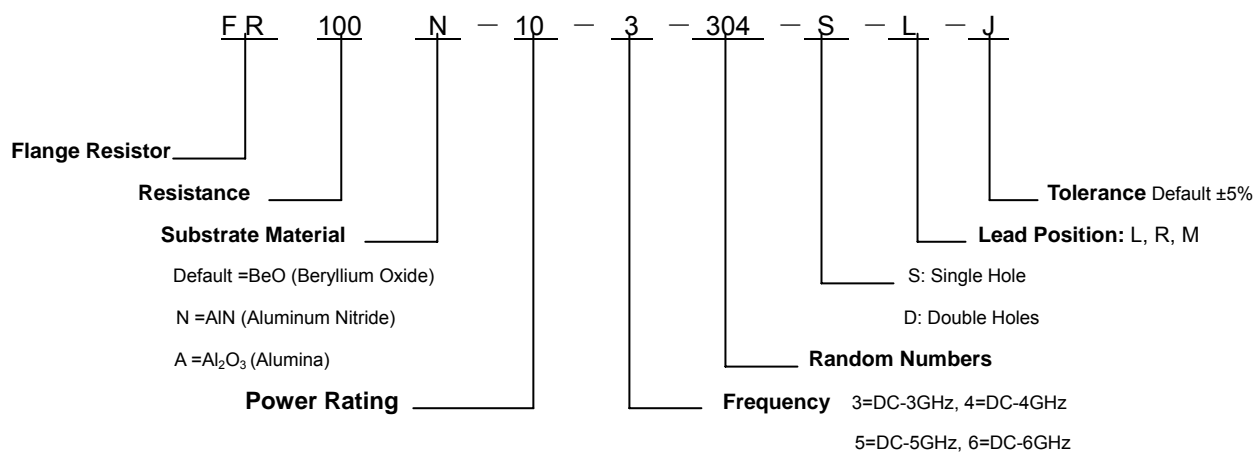
Electrical Specifications

- ✧ Resistance: 100 Ω
- ✧ Resistive Tolerance: ±5%
- ✧ Power Rating: 30W, 60W
- ✧ Frequency: DC-4GHz
- ✧ Operating Temperature: -55°C to +150°C
- ✧ Temperature Coefficient: <150ppm/°C
- ✧ Substrate: BeO
- ✧ Lead Length: 6mm
- ✧ RoHS Compliant

Outline Drawing (mm)



HOW TO ORDER



Resistance Tolerance			
Code	F	G	J
Tolerance	±1%	±2%	±5%