

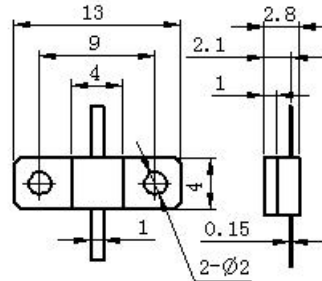
Flange Resistors

Part Number: FR100-20-4-702-D-M-J

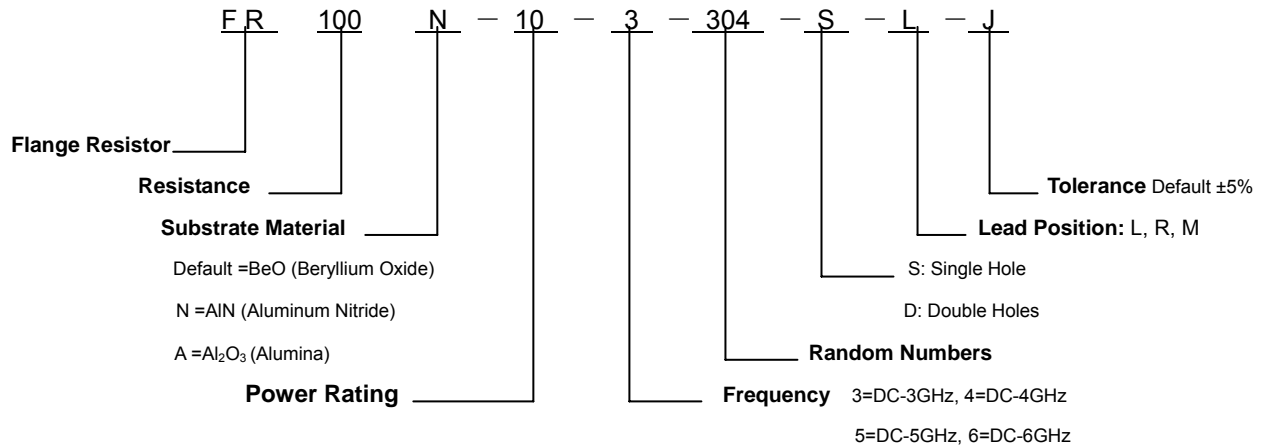
Electrical Specifications

- ✧ **Resistance:** 100 Ω
- ✧ **Resistive Tolerance:** ±5%
- ✧ **Power Rating:** 20W
- ✧ **Frequency:** DC-4GHz
- ✧ **Operating Temperature:** -55°C to +150°C
- ✧ **Temperature Coefficient:** <150ppm/°C
- ✧ **Substrate:** BeO or AlN
- ✧ **Lead Length:** 4mm
- ✧ **RoHS Compliant**

Outline Drawing (mm)



HOW TO ORDER



Resistance Tolerance			
Code	F	G	J
Tolerance	±1%	±2%	±5%