

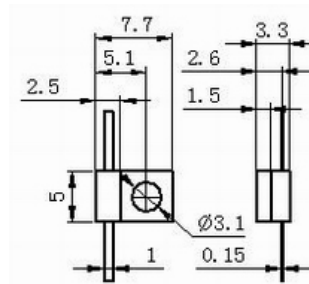
Flange Resistors

Part Number: FR100-XX-3-304-S-L-J

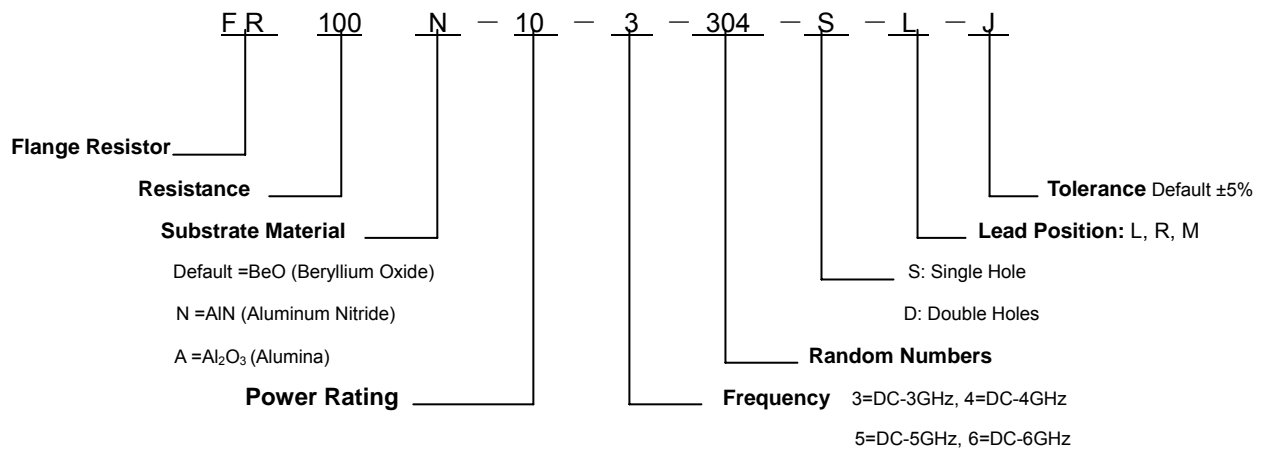
Electrical Specifications

- ✧ **Resistance:** 100 Ω
- ✧ **Resistive Tolerance:** ±5%
- ✧ **Power Rating:** 5W, 10W, 20W
- ✧ **Frequency:** DC-3GHz
- ✧ **Operating Temperature:** -55°C to +150°C
- ✧ **Temperature Coefficient:** <150ppm/°C
- ✧ **Substrate:** BeO or AlN
- ✧ **Lead Length:** 4mm
- ✧ **RoHS Compliant**

Outline Drawing (mm)



HOW TO ORDER



| Resistance Tolerance | | | |
|----------------------|-----|-----|-----|
| Code | F | G | J |
| Tolerance | ±1% | ±2% | ±5% |