

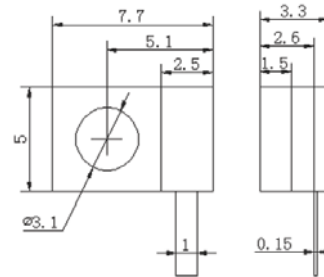
Flange Terminations

Part Number: FT50-XX-6-303-S-R-J

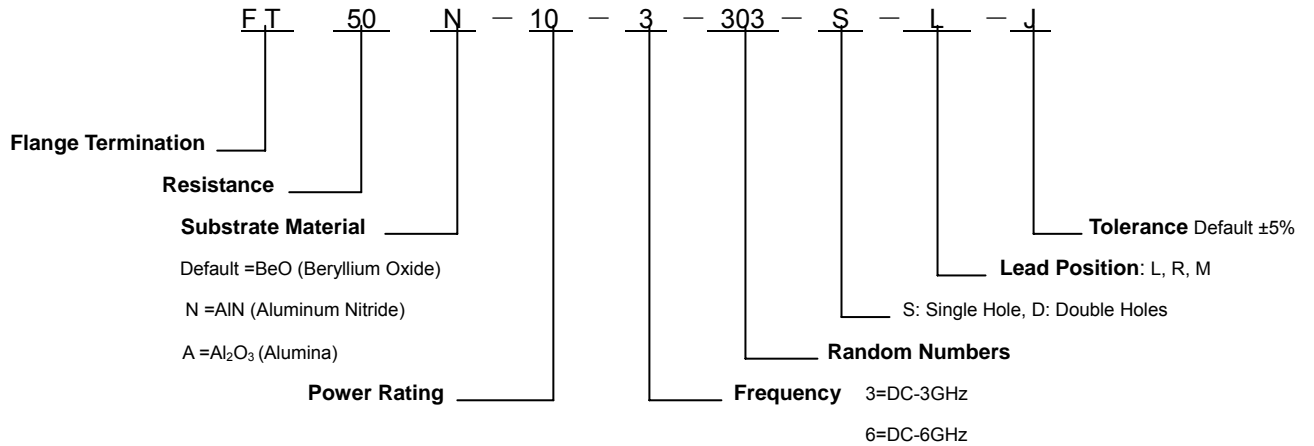
Electrical Specifications

- ✧ **Resistance:** 50 Ω
- ✧ **Resistive Tolerance:** ±5%
- ✧ **Power Rating:** 5W, 10W, 20W
- ✧ **Frequency:** DC-6GHz
- ✧ **VSWR (Max.):** 1.30:1
- ✧ **Operating Temperature:** -55°C to +150°C
- ✧ **Temperature Coefficient:** <150ppm/°C
- ✧ **Substrate:** BeO or AlN
- ✧ **Lead Length:** 4mm
- ✧ **RoHS Compliant**

Outline Drawing (mm)



HOW TO ORDER



Resistance Tolerance			
Code	F	G	J
Tolerance	±1%	±2%	±5%