

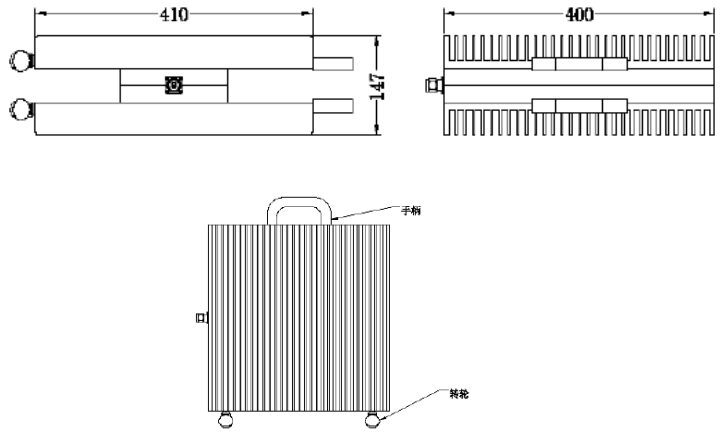
**Coaxial Terminations**

**Part Number: CT50-1000-N2-3**

**Electrical Specifications**

- ✧ **Nominal Impedance:** 50 Ω
- ✧ **Power Rating:** 1000W
- ✧ **Frequency:** DC-3GHz
- ✧ **VSWR (Max.):** 1.35:1
- ✧ **Connector Type:** N(Male)
- ✧ **Operating Temperature:** -55℃ to +85℃
- ✧ **Dimension:** 400\*410\*147mm
- ✧ **Tolerance:** ±2%
- ✧ **Net Weight:** 19kg
- ✧ **RoHS Compliant**
- ✧ **7/16 connector can be offered too**

**Outline Drawing (mm)**



**HOW TO ORDER**

