

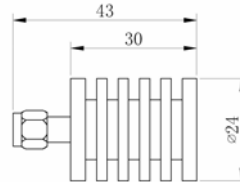
**Coaxial Terminations**

**Part Number: CT50-10-S2-3**

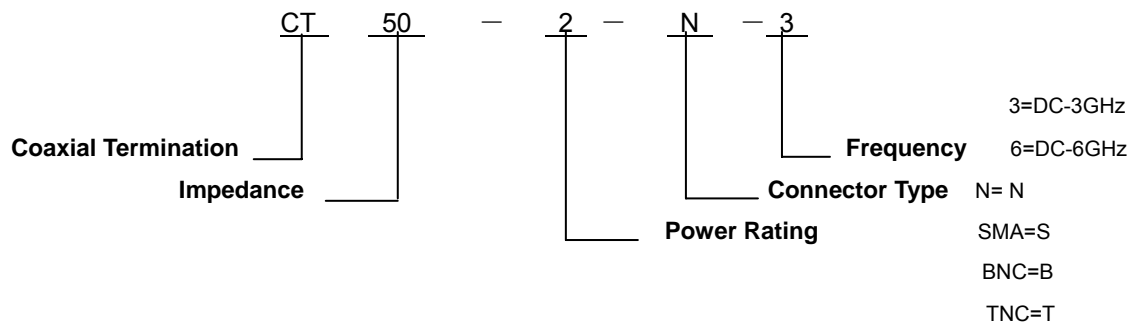
**Electrical Specifications**

- ✧ **Nominal Impedance:** 50 Ω
- ✧ **Power Rating:** 10W
- ✧ **Frequency:** DC-3GHz
- ✧ **VSWR (Max.):** 1.20:1
- ✧ **Connector Type:** SMA(Male)
- ✧ **Operating Temperature:** -55℃ to +85℃
- ✧ **Dimension:** Φ24\*43mm
- ✧ **Tolerance:** ±2%
- ✧ **Net Weight:** 25g
- ✧ **RoHS Compliant**

**Outline Drawing (mm)**



**HOW TO ORDER**



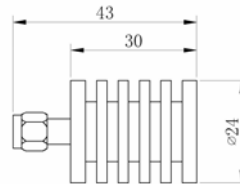
### Coaxial Terminations

Part Number: **CT50-10-S2-6**

#### Electrical Specifications

- ✧ **Nominal Impedance:** 50 Ω
- ✧ **Power Rating:** 10W
- ✧ **Frequency:** DC-6GHz
- ✧ **VSWR (Max.):** 1.30:1
- ✧ **Connector Type:** SMA(Male)
- ✧ **Operating Temperature:** -55°C to +85°C
- ✧ **Dimension:** Φ24\*43mm
- ✧ **Tolerance:** ±2%
- ✧ **Net Weight:** 25g
- ✧ **RoHS Compliant**

#### Outline Drawing (mm)



### HOW TO ORDER

