

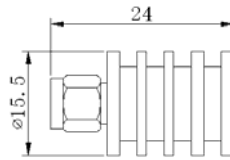
Coaxial Terminations

Part Number: CT50-5-S2-6

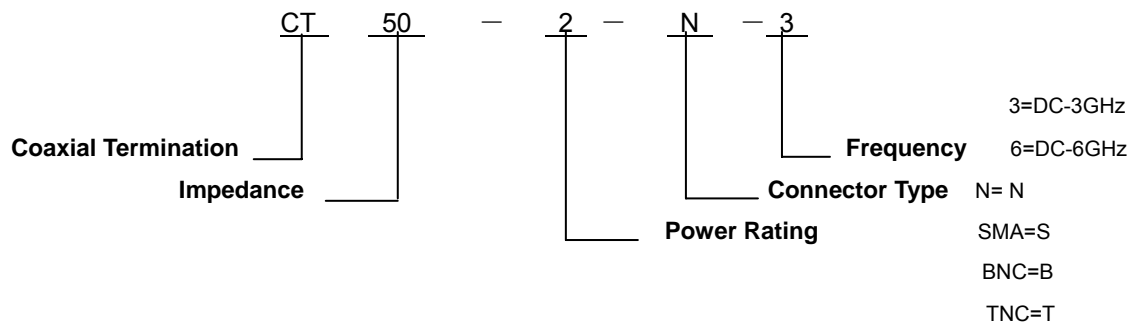
Electrical Specifications

- ✧ **Nominal Impedance:** 50 Ω
- ✧ **Power Rating:** 5W
- ✧ **Frequency:** DC-6GHz
- ✧ **VSWR (Max.):** 1.20:1
- ✧ **Connector Type:** SMA(Male)
- ✧ **Operating Temperature:** -55°C to +85°C
- ✧ **Dimension:** Φ 15.5*24mm
- ✧ **Tolerance:** ±2%
- ✧ **Net Weight:** 8.8g
- ✧ **RoHS Compliant**

Outline Drawing (mm)



HOW TO ORDER



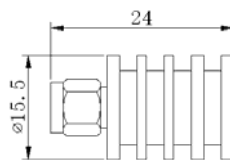
Coaxial Terminations

Part Number: CT50-5-S2-12.4

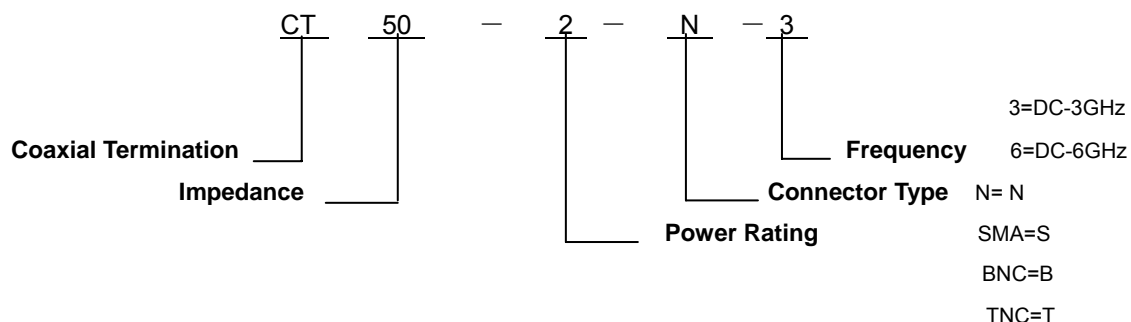
Electrical Specifications

- ✧ **Nominal Impedance:** 50 Ω
- ✧ **Power Rating:** 5W
- ✧ **Frequency:** DC-12.4GHz
- ✧ **VSWR (Max.):** 1.30:1
- ✧ **Connector Type:** SMA(Male)
- ✧ **Operating Temperature:** -55°C to +85°C
- ✧ **Dimension:** Φ 15.5*24mm
- ✧ **Tolerance:** ±2%
- ✧ **Net Weight:** 8.8g
- ✧ **RoHS Compliant**

Outline Drawing (mm)



HOW TO ORDER



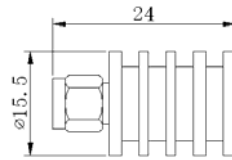
Coaxial Terminations

Part Number: CT50-5-S2-18

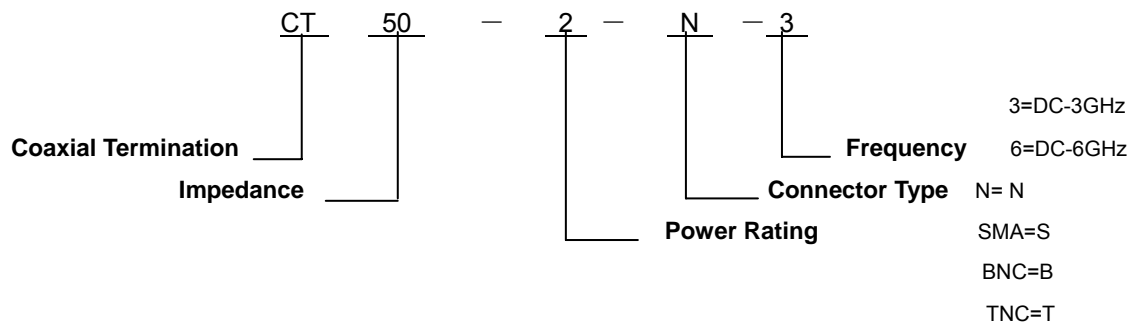
Electrical Specifications

- ✧ **Nominal Impedance:** 50 Ω
- ✧ **Power Rating:** 5W
- ✧ **Frequency:** DC-18GHz
- ✧ **VSWR (Max.):** 1.35:1
- ✧ **Connector Type:** SMA(Male)
- ✧ **Operating Temperature:** -55°C to +85°C
- ✧ **Dimension:** Φ 15.5*24mm
- ✧ **Tolerance:** ±2%
- ✧ **Net Weight:** 8.8g
- ✧ **RoHS Compliant**

Outline Drawing (mm)



HOW TO ORDER



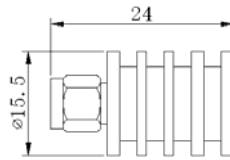
Coaxial Terminations

Part Number: CT50-5-S2-26.5

Electrical Specifications

- ✧ **Nominal Impedance:** 50 Ω
- ✧ **Power Rating:** 5W
- ✧ **Frequency:** DC-26.5GHz
- ✧ **VSWR (Max.):** 1.40:1
- ✧ **Connector Type:** SMA(Male)
- ✧ **Operating Temperature:** -55°C to +85°C
- ✧ **Dimension:** Φ 15.5*24mm
- ✧ **Tolerance:** ±2%
- ✧ **Net Weight:** 8.8g
- ✧ **RoHS Compliant**

Outline Drawing (mm)



HOW TO ORDER

