

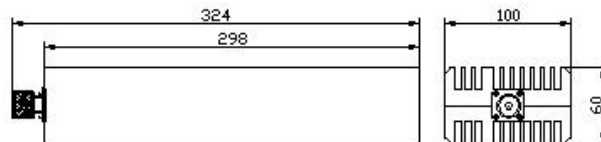
Coaxial Terminations

Part Number: CT50-300-N2-3

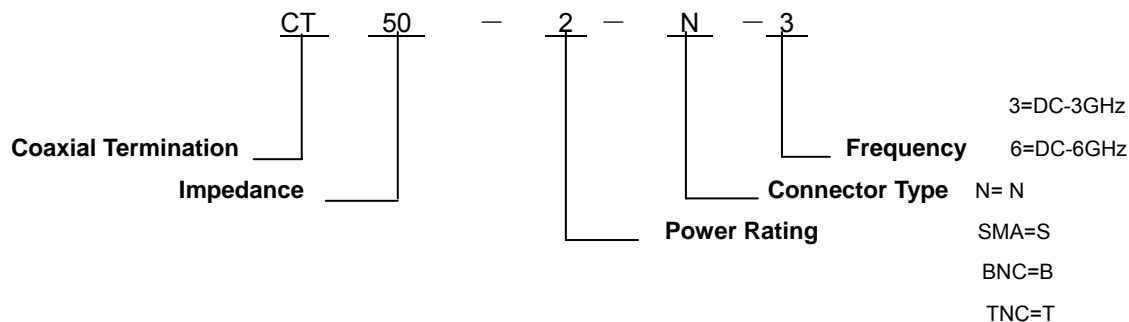
Electrical Specifications

- ✧ **Nominal Impedance:** 50 Ω
- ✧ **Power Rating:** 300W
- ✧ **Frequency:** DC-3GHz
- ✧ **VSWR (Max.):** 1.20:1
- ✧ **Connector Type:** N(Male)
- ✧ **Operating Temperature:** -55°C to +85°C
- ✧ **Dimension:** 298*100*60mm
- ✧ **Tolerance:** ±2%
- ✧ **Net Weight:** 4.0kg
- ✧ **RoHS Compliant**

Outline Drawing (mm)



HOW TO ORDER



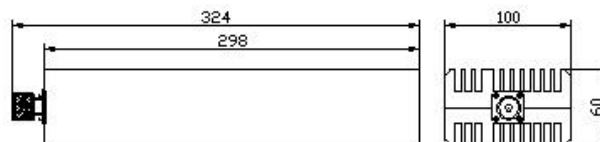
Coaxial Terminations

Part Number: CT50-300-N2-6

Electrical Specifications

- ✧ **Nominal Impedance:** 50 Ω
- ✧ **Power Rating:** 300W
- ✧ **Frequency:** DC-6GHz
- ✧ **VSWR (Max.):** 1.30:1
- ✧ **Connector Type:** N(Male)
- ✧ **Operating Temperature:** -55°C to +85°C
- ✧ **Dimension:** 298*100*60mm
- ✧ **Tolerance:** ±2%
- ✧ **Net Weight:** 4.0kg
- ✧ **RoHS Compliant**

Outline Drawing (mm)



HOW TO ORDER

