

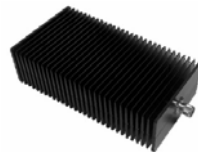
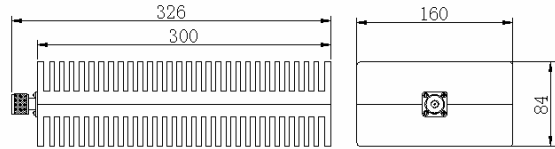
Coaxial Terminations

Part Number: CT50-300-N1-3

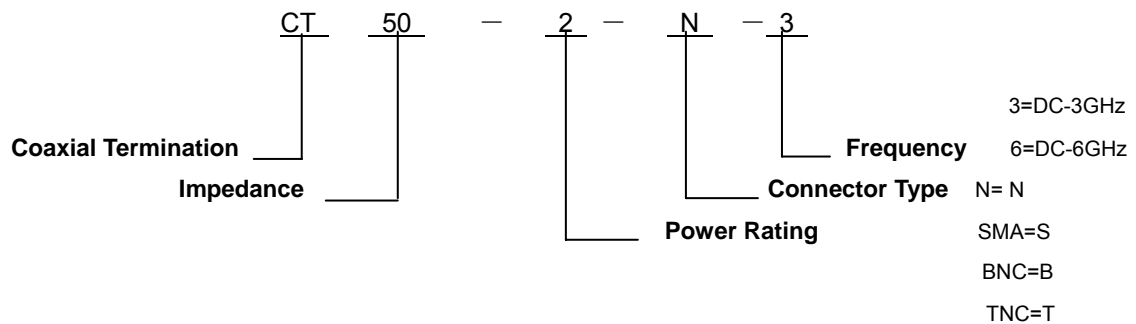
Electrical Specifications

- ✧ **Nominal Impedance:** 50 Ω
- ✧ **Power Rating:** 300W
- ✧ **Frequency:** DC-3GHz
- ✧ **VSWR (Max.):** 1.20:1
- ✧ **Connector Type:** N(Male)
- ✧ **Operating Temperature:** -55°C to +85°C
- ✧ **Dimension:** 300*160*84mm
- ✧ **Tolerance:** ±2%
- ✧ **Net Weight:** 5.8kg
- ✧ **RoHS Compliant**
- ✧ **7/16 connector can be offered too**

Outline Drawing (mm)



HOW TO ORDER



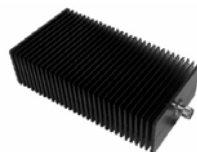
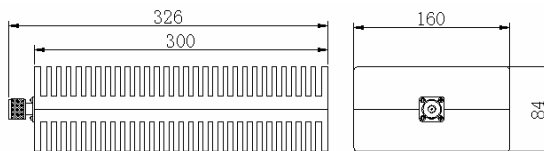
Coaxial Terminations

Part Number: CT50-300-N1-6

Electrical Specifications

- ✧ **Nominal Impedance:** 50 Ω
- ✧ **Power Rating:** 300W
- ✧ **Frequency:** DC-6GHz
- ✧ **VSWR (Max.):** 1.30:1
- ✧ **Connector Type:** N(Male)
- ✧ **Operating Temperature:** -55°C to +85°C
- ✧ **Dimension:** 300*160*84mm
- ✧ **Tolerance:** ±2%
- ✧ **Net Weight:** 5.8kg
- ✧ **RoHS Compliant**
- ✧ **7/16 connector can be offered too**

Outline Drawing (mm)



HOW TO ORDER

