

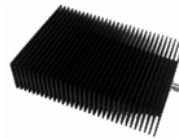
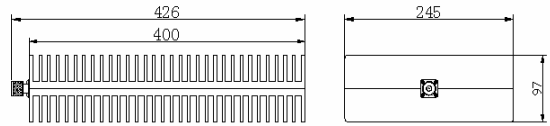
**Coaxial Terminations**

**Part Number: CT50-500-N1-3**

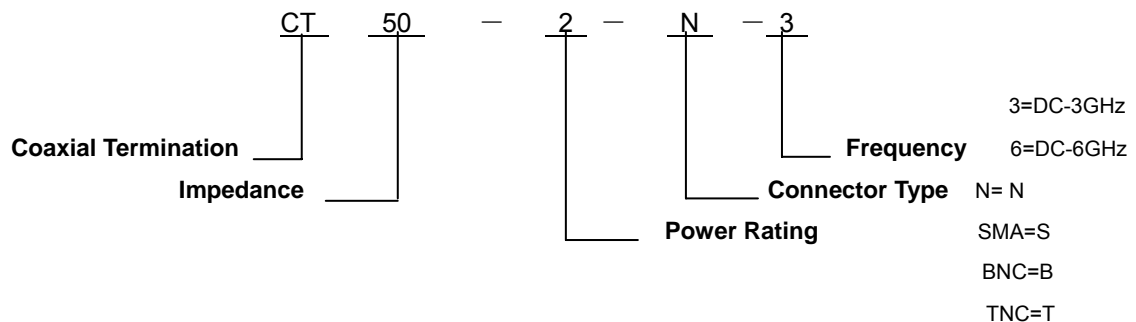
**Electrical Specifications**

- ✧ **Nominal Impedance:** 50 Ω
- ✧ **Power Rating:** 500W
- ✧ **Frequency:** DC-3GHz
- ✧ **VSWR (Max.):** 1.25:1
- ✧ **Connector Type:** N(Male)
- ✧ **Operating Temperature:** -55°C to +85°C
- ✧ **Dimension:** 400\*245\*97mm
- ✧ **Tolerance:** ±2%
- ✧ **Net Weight:** 10kg
- ✧ **RoHS Compliant**
- ✧ **7/16 connector can be offered too**

**Outline Drawing (mm)**



**HOW TO ORDER**



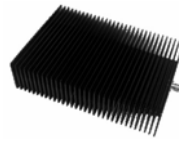
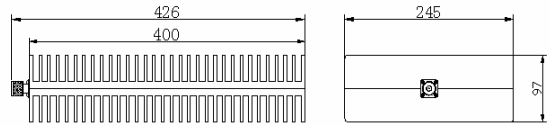
**Coaxial Terminations**

**Part Number: CT50-500-N1-6**

**Electrical Specifications**

- ✧ **Nominal Impedance:** 50 Ω
- ✧ **Power Rating:** 500W
- ✧ **Frequency:** DC-6GHz
- ✧ **VSWR (Max.):** 1.35:1
- ✧ **Connector Type:** N(Male)
- ✧ **Operating Temperature:** -55°C to +85°C
- ✧ **Dimension:** 400\*245\*97mm
- ✧ **Tolerance:** ±2%
- ✧ **Net Weight:** 10kg
- ✧ **RoHS Compliant**
- ✧ **7/16 connector can be offered too**

**Outline Drawing (mm)**



**HOW TO ORDER**

