

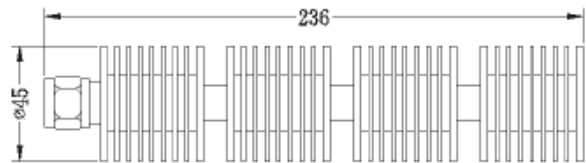
**Coaxial Terminations**

**Part Number: CT50-100-N2-4**

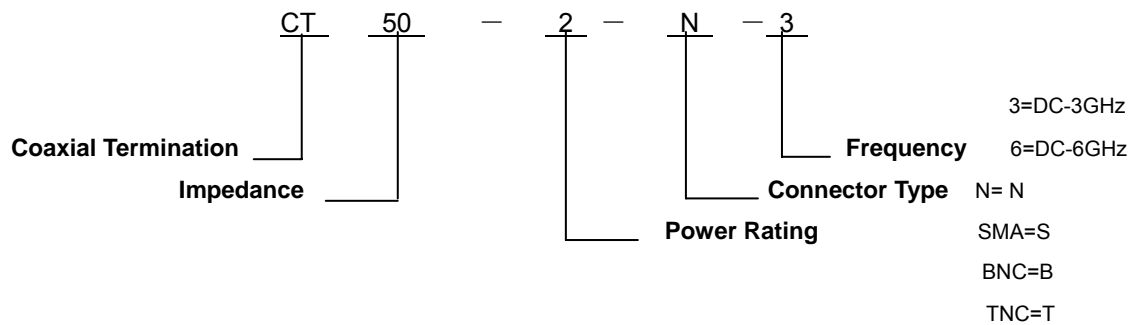
**Electrical Specifications**

- ✧ **Nominal Impedance:** 50 Ω
- ✧ **Power Rating:** 100W
- ✧ **Frequency:** DC-4GHz
- ✧ **VSWR (Max.):** 1.25:1
- ✧ **Connector Type:** N(Male)
- ✧ **Operating Temperature:** -55°C to +85°C
- ✧ **Dimension:** Φ45\*236mm
- ✧ **Tolerance:** ±2%
- ✧ **Net Weight:** 475g
- ✧ **RoHS Compliant**

**Outline Drawing (mm)**



**HOW TO ORDER**



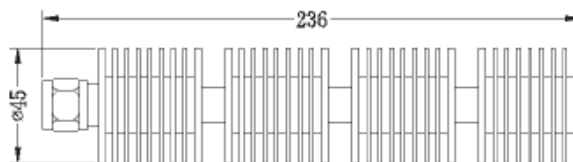
**Coaxial Terminations**

**Part Number: CT50-100-N2-6**

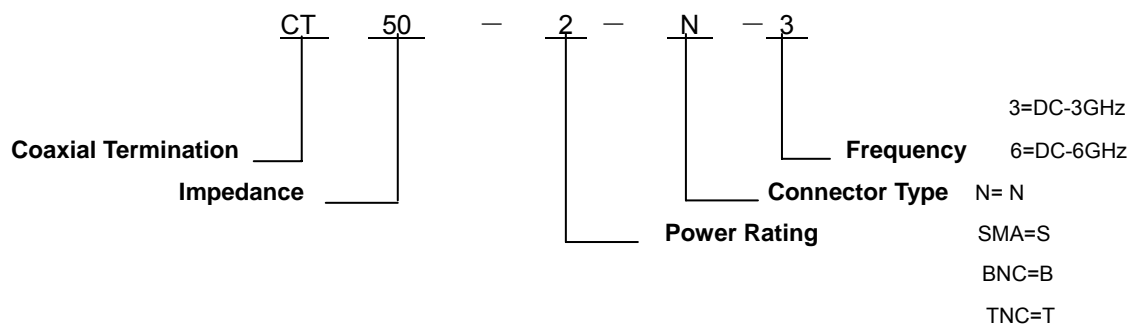
**Electrical Specifications**

- ✧ **Nominal Impedance:** 50 Ω
- ✧ **Power Rating:** 100W
- ✧ **Frequency:** DC-6GHz
- ✧ **VSWR (Max.):** 1.35:1
- ✧ **Connector Type:** N(Male)
- ✧ **Operating Temperature:** -55°C to +85°C
- ✧ **Dimension:** Φ45\*236mm
- ✧ **Tolerance:** ±2%
- ✧ **Net Weight:** 475g
- ✧ **RoHS Compliant**

**Outline Drawing (mm)**



**HOW TO ORDER**



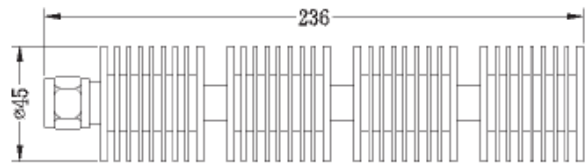
**Coaxial Terminations**

**Part Number: CT50-100-N2-12.4**

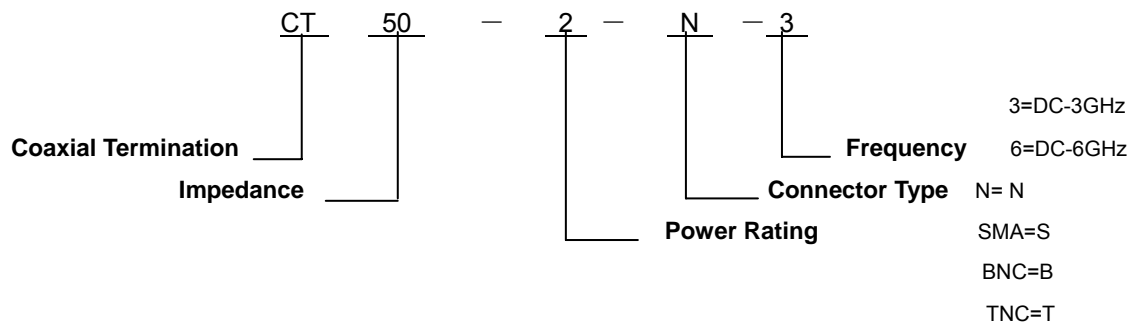
**Electrical Specifications**

- ✧ **Nominal Impedance:** 50 Ω
- ✧ **Power Rating:** 100W
- ✧ **Frequency:** DC-12.4GHz
- ✧ **VSWR (Max.):** 1.40:1
- ✧ **Connector Type:** N(Male)
- ✧ **Operating Temperature:** -55°C to +85°C
- ✧ **Dimension:** Φ45\*236mm
- ✧ **Tolerance:** ±2%
- ✧ **Net Weight:** 475g
- ✧ **RoHS Compliant**

**Outline Drawing (mm)**



**HOW TO ORDER**



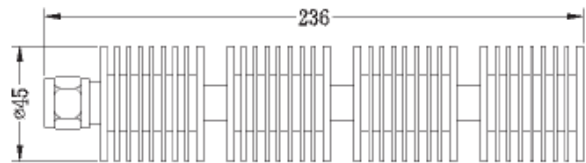
**Coaxial Terminations**

**Part Number: CT50-100-N2-18**

**Electrical Specifications**

- ✧ **Nominal Impedance:** 50 Ω
- ✧ **Power Rating:** 100W
- ✧ **Frequency:** DC-18GHz
- ✧ **VSWR (Max.):** 1.45:1
- ✧ **Connector Type:** N(Male)
- ✧ **Operating Temperature:** -55°C to +85°C
- ✧ **Dimension:** Φ45\*236mm
- ✧ **Tolerance:** ±2%
- ✧ **Net Weight:** 475g
- ✧ **RoHS Compliant**

**Outline Drawing (mm)**



**HOW TO ORDER**

