

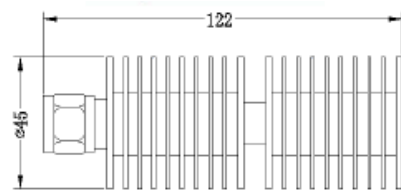
Coaxial Terminations

Part Number: **CT50-50-N3-6**

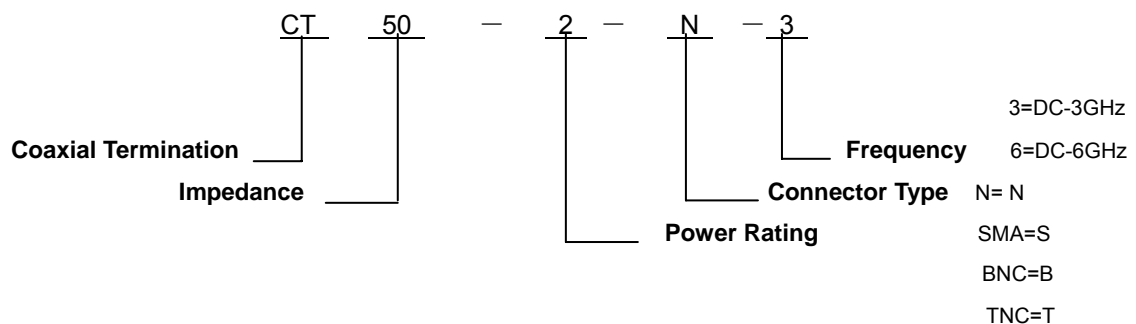
Electrical Specifications

- ✧ **Nominal Impedance:** 50 Ω
- ✧ **Power Rating:** 50W
- ✧ **Frequency:** DC-6GHz
- ✧ **VSWR (Max.):** 1.30:1
- ✧ **Connector Type:** N(Male)
- ✧ **Operating Temperature:** -55°C to +85°C
- ✧ **Dimension:** Φ45*122mm
- ✧ **Tolerance:** ±2%
- ✧ **Net Weight:** 246g
- ✧ **RoHS Compliant**

Outline Drawing (mm)



HOW TO ORDER



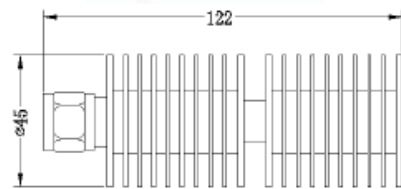
Coaxial Terminations

Part Number: CT50-50-N3-12.4

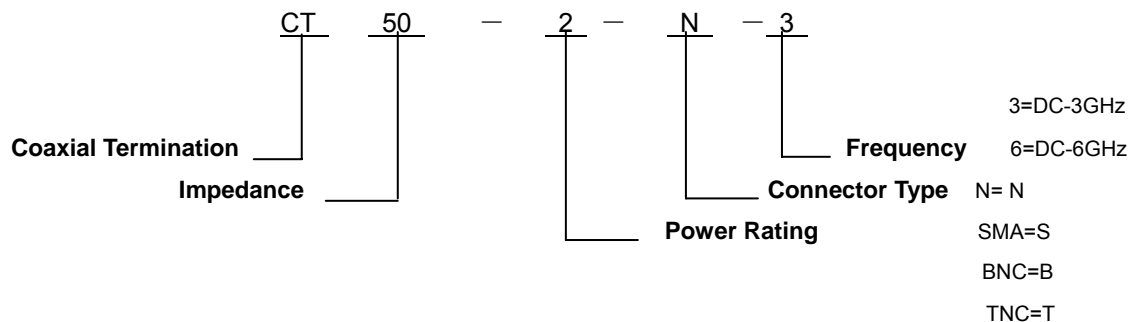
Electrical Specifications

- ✧ **Nominal Impedance:** 50 Ω
- ✧ **Power Rating:** 50W
- ✧ **Frequency:** DC-12.4GHz
- ✧ **VSWR (Max.):** 1.40:1
- ✧ **Connector Type:** N(Male)
- ✧ **Operating Temperature:** -55°C to +85°C
- ✧ **Dimension:** Φ45*122mm
- ✧ **Tolerance:** ±2%
- ✧ **Net Weight:** 246g
- ✧ **RoHS Compliant**

Outline Drawing (mm)



HOW TO ORDER



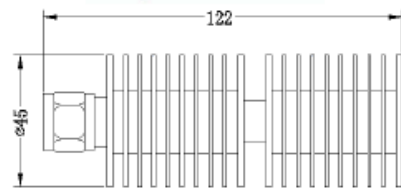
Coaxial Terminations

Part Number: CT50-50-N3-18

Electrical Specifications

- ✧ **Nominal Impedance:** 50 Ω
- ✧ **Power Rating:** 50W
- ✧ **Frequency:** DC-18GHz
- ✧ **VSWR (Max.):** 1.45:1
- ✧ **Connector Type:** N(Male)
- ✧ **Operating Temperature:** -55°C to +85°C
- ✧ **Dimension:** Φ45*122mm
- ✧ **Tolerance:** ±2%
- ✧ **Net Weight:** 246g
- ✧ **RoHS Compliant**

Outline Drawing (mm)



HOW TO ORDER

