

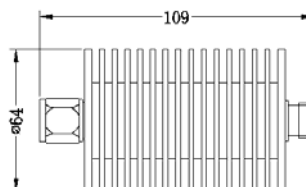
Coaxial Attenuators

Part Number: CA50-XX-N1-3

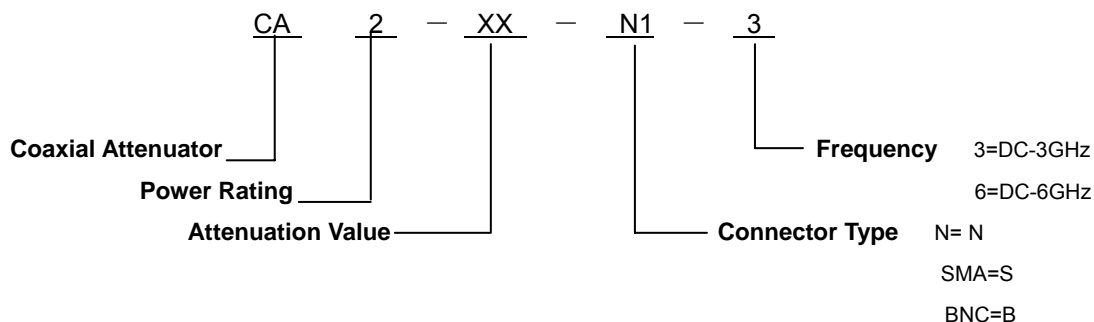
Electrical Specifications

- ✧ **Nominal Impedance:** 50 Ω
- ✧ **Power Rating:** 50W
- ✧ **Frequency:** DC-3GHz
- ✧ **VSWR (Max.):** 1.20:1
- ✧ **Attenuation & Tol. :**
 - 1-10dB ±0.6dB
 - 11-20dB ±0.8dB
 - 21-30dB ±1.0dB
- ✧ **Connector Type:** N(Male/Female)
- ✧ **Operating Temperature:** -55°C to +85°C
- ✧ **Dimension:** Φ64*109mm
- ✧ **Tolerance:** ±2%
- ✧ **Net Weight:** 418g
- ✧ **RoHS Compliant**

Outline Drawing (mm)



HOW TO ORDER



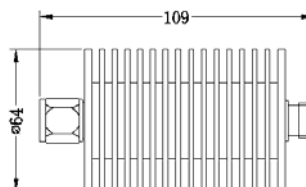
Coaxial Attenuators

Part Number: **CA50-XX-N1-6**

Electrical Specifications

- ✧ **Nominal Impedance:** 50 Ω
- ✧ **Power Rating:** 50W
- ✧ **Frequency:** DC-6GHz
- ✧ **VSWR (Max.):** 1.30:1
- ✧ **Attenuation & Tol. :**
 - 1-10dB ±0.6dB
 - 11-20dB ±0.8dB
 - 21-30dB ±1.0dB
- ✧ **Connector Type:** N(Male/Female)
- ✧ **Operating Temperature:** -55°C to +85°C
- ✧ **Dimension:** Φ64*109mm
- ✧ **Tolerance:** ±2%
- ✧ **Net Weight:** 418g
- ✧ **RoHS Compliant**

Outline Drawing (mm)



HOW TO ORDER

