

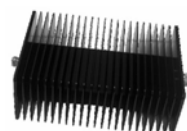
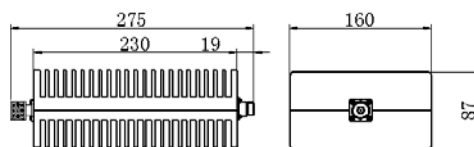
Coaxial Attenuators

Part Number: **CA200-XX-N1-3**

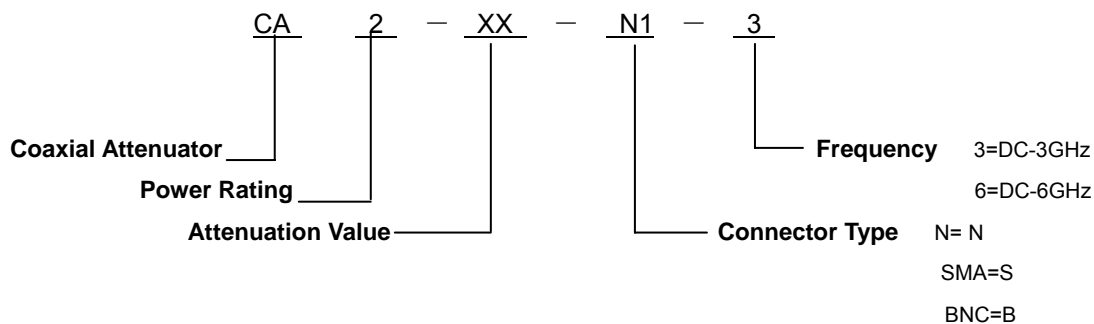
Electrical Specifications

- ✧ **Nominal Impedance:** 50 Ω
- ✧ **Power Rating:** 200W
- ✧ **Frequency:** DC-3GHz
- ✧ **VSWR (Max.):** 1.20:1
- ✧ **Attenuation & Tol. :**
 - 1-10dB ±0.6dB
 - 11-20dB ±0.8dB
 - 21-30dB ±1.0dB
- ✧ **Connector Type:** N(Male/Female)
- ✧ **Operating Temperature:** -55°C to +85°C
- ✧ **Dimension:** 230*160*87mm
- ✧ **Tolerance:** ±2%
- ✧ **Net Weight:** 3.41kg
- ✧ **RoHS Compliant**
- ✧ **7/16 connector can be offered too**

Outline Drawing (mm)



HOW TO ORDER



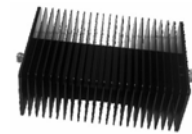
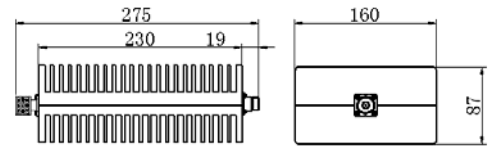
Coaxial Attenuators

Part Number: CA200-XX-N1-6

Electrical Specifications

- ✧ **Nominal Impedance:** 50 Ω
- ✧ **Power Rating:** 200W
- ✧ **Frequency:** DC-6GHz
- ✧ **VSWR (Max.):** 1.30:1
- ✧ **Attenuation & Tol. :**
 - 1-10dB ±0.6dB
 - 11-20dB ±0.8dB
 - 21-30dB ±1.0dB
- ✧ **Connector Type:** N(Male/Female)
- ✧ **Operating Temperature:** -55°C to +85°C
- ✧ **Dimension:** 230*160*87mm
- ✧ **Tolerance:** ±2%
- ✧ **Net Weight:** 3.41kg
- ✧ **RoHS Compliant**
- ✧ **7/16 connector can be offered too**

Outline Drawing (mm)



HOW TO ORDER

