

Dual Junction Drop-in Isolators

Part Number: KTDI-1302S

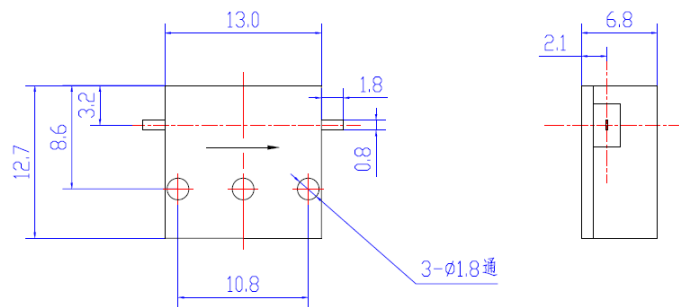
Main Features:

- Dual Junction, Broad Option of Frequency Range : 9GHz - 18GHz
- High Isolation, Low Insertion Loss, Small Size
- Wide Operating Temperature : -40°C~+75°C
- Commercial, Military and Space Applications

Electrical Specifications at Room Temperature:

Part Number	Freq. Range (GHz)	Bandwidth Max. (MHz)	Insertion Loss Max. (dB)	Isolation Min. (dB)	VSWR Max.	Reverse Power (W)	Connector Type
KTDI-1302S	9 - 18	100	0.6	50	1.20	5	TAB

Mechanical Dimensions (mm):



HOW TO ORDER

