

Dual Junction Drop-in Isolators

Part Number: KTDI102CS-100

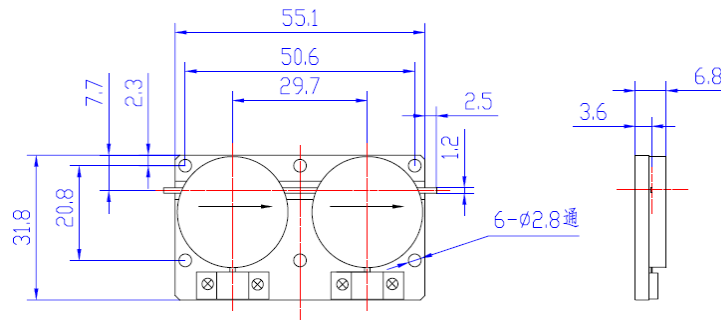
Main Features:

- Dual Junction, Frequency Range: 0.8 - 1.0GHz, 1.7 - 2.2GHz
- Small Size, High Isolation, Low Insertion Loss, High Power Handling
- Wide Operating Temperature : -30°C~+70°C
- Commercial, Military and Space Applications

Electrical Specifications at Room Temperature:

Part Number	Freq. Range (GHz)	Bandwidth Max. (MHz)	Insertion Loss Max. (dB)	Isolation Min. (dB)	VSWR Max.	Reverse Power (W)	Connector Type
KTDI102CS-100	0.8 - 1.0	25	0.5	50	1.20	100	TAB
KTDI102CS-100	1.7 - 2.2	70	0.5	50	1.20	100	TAB

Mechanical Dimensions (mm):



HOW TO ORDER

