

## Dual Junction Drop-in Isolators

Part Number: KTDI-0902BS

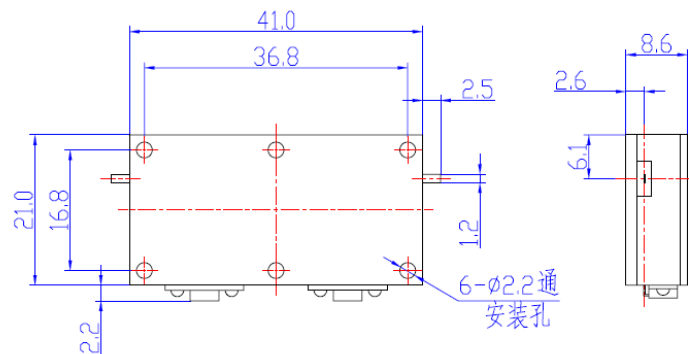
### Main Features:

- Dual Junction, Frequency Range: 0.8GHz - 1.0GHz
- High Isolation, Low Insertion Loss, Small Size
- Wide Operating Temperature: -30°C~+70°C
- Commercial, Military and Space Applications

### Electrical Specifications at Room Temperature:

Part Number	Freq. Range (GHz)	Bandwidth Max. (MHz)	Insertion Loss Max. (dB)	Isolation Min. (dB)	VSWR Max.	Reverse Power (W)	Connector Type
KTDI-0902BS	0.8 - 1.0	25	0.65	50	1.20	10	TAB

### Mechanical Dimensions (mm):



### HOW TO ORDER

