

## Coaxial High Power Isolators

Part Number: KTCI0201A-B800

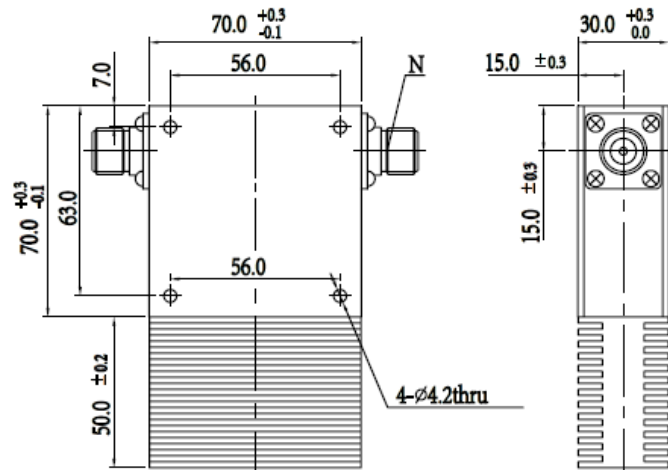
### Main Features:

- Frequency Range: 0.26GHz - 0.30GHz
- High Isolation, Low Insertion Loss, High Power Handling
- Wide Operating Temperature: -30°C~+70°C
- Commercial, Military and Space Applications

### Electrical Specifications at Room Temperature:

Part Number	Freq. Range (GHz)	Bandwidth Max. (MHz)	Insertion Loss Max (dB)	Isolation Min. (dB)	VSWR Max.	Peak Power (W)	Duty Ratio	Reverse Power (W)	Connector Type
KTCI0201A-B800	0.26 - 0.30	full	0.4	20	1.25	2500	30%	800	N

### Mechanical Dimensions (mm):



### HOW TO ORDER

