

Coaxial High Power Isolators

Part Number: KTCI0301-500

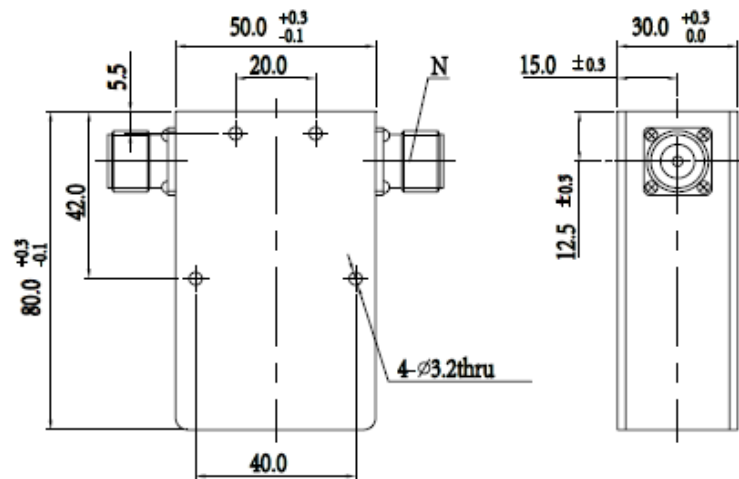
Main Features:

- Frequency Range: 0.32GHz - 0.36GHz
- High Isolation, Low Insertion Loss, High Power Handling
- Wide Operating Temperature: -30°C~+70°C
- Commercial, Military and Space Applications

Electrical Specifications at Room Temperature:

Part Number	Freq. Range (GHz)	Bandwidth Max. (MHz)	Insertion Loss Max (dB)	Isolation Min. (dB)	VSWR Max.	Peak Power (W)	Duty Ratio	Reverse Power (W)	Connector Type
KTCI0301-500	0.32 - 0.36	full	0.4	20	1.25	1600	30%	500	N

Mechanical Dimensions (mm):



HOW TO ORDER

