

## Coaxial High Power Circulators

Part Number: KTCC-0201A

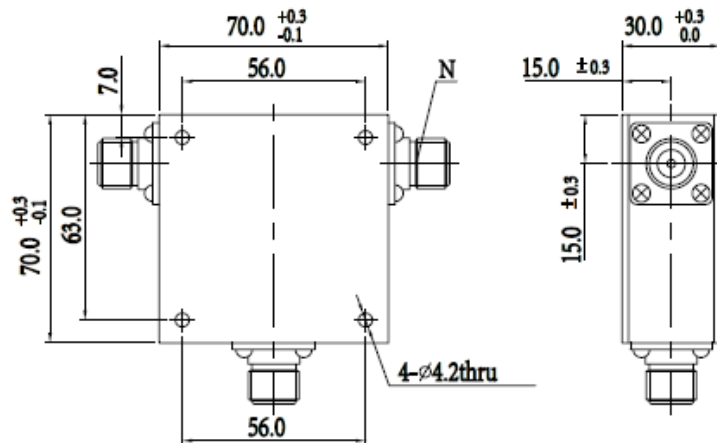
### Main Features:

- Frequency Range: 0.26GHz - 0.30GHz
- High Isolation, Low Insertion Loss, High Power Handling
- Wide Operating Temperature: -30°C~+70°C
- Commercial, Military and Space Applications

### Electrical Specifications at Room Temperature:

Part Number	Freq. Range (GHz)	Bandwidth Max. (MHz)	Insertion Loss Max (dB)	Isolation Min. (dB)	VSWR Max.	Peak Power (W)	Duty Ratio	Connector Type
KTCC-0201A	0.26 - 0.30	full	0.4	20	1.25	2500	30%	N

### Mechanical Dimensions (mm):



### HOW TO ORDER

