

## Waveguide High Power Circulators

Part Number: KTWC84-100B

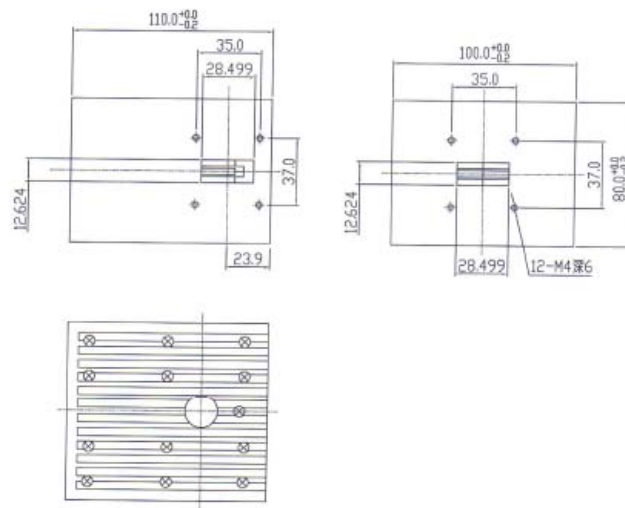
### Main Features:

- Broad Frequency Range: 7.9GHz - 8.4GHz
- High Power Handling, High Isolation, Low Insertion Loss
- Wide Temperature Range: -40°C~+85°C
- Commercial, Military and Space Applications

### Electrical Specifications at Room Temperature:

Part Number	Freq. Range (GHz)	Bandwidth (MHz)	Insertion Loss Max. (dB)	Isolation Min. (dB)	VSWR Max.	Forward Power (W)	Waveguide Type
KTWC84-100B	7.9 - 8.4	full	0.3	23	1.20	1200	WR112

### Mechanical Dimensions (mm):



### HOW TO ORDER

