

Drop-in Broadband Isolators

Part Number: KTDI201-C1

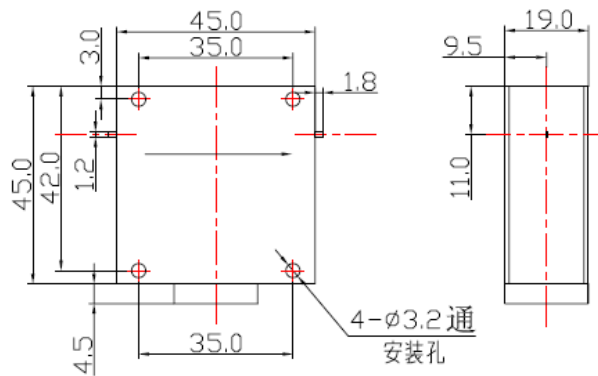
Main Features:

- Broad Frequency Range: 1.5GHz - 2.5GHz, Bandwidth up to Full
- High Isolation, Low Insertion Loss, High Power Handling
- Wide Operating Temperature: -30°C~+70°C
- Commercial, Military and Space Applications

Electrical Specifications at Room Temperature:

Part Number	Freq. Range (GHz)	Bandwidth Max. (MHz)	Insertion Loss Max. (dB)	Isolation Min. (dB)	VSWR Max.	Reverse Power (W)	Connector Type
KTDI201-C1	1.5 - 2.5	full	0.7	17	1.30	10	TAB

Mechanical Dimensions (mm):



HOW TO ORDER

