

Dual Junction Coaxial Circulators

Part Number: KTCC-101S

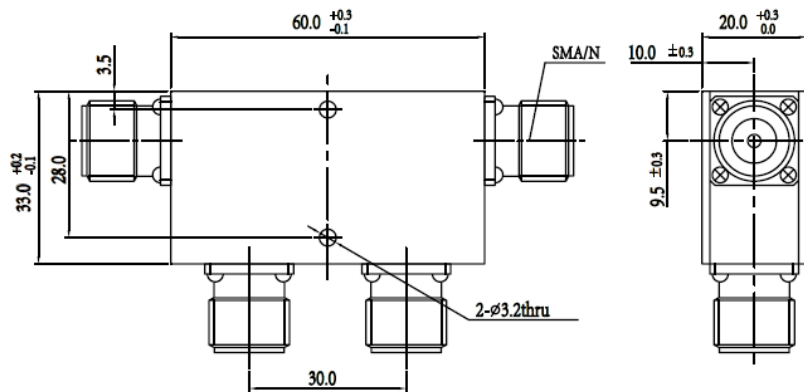
Main Features:

- Dual Junction, Frequency Range: 0.8GHz - 1.4GHz
- Small Size, High Isolation, Low Insertion Loss, High Power Handling
- Wide Operating Temperature: -40°C~+85°C
- Commercial, Military and Space Applications

Electrical Specifications at Room Temperature:

Part Number	Freq. Range (GHz)	Bandwidth Max. (MHz)	Insertion Loss Max. (dB)	Isolation Min. (dB)	VSWR Max.	Average Power (W)	Connector Type
KTCC-101S	0.8 - 1.4	100	0.6	46	1.20	100	SMA/N

Mechanical Dimensions (mm):



HOW TO ORDER

