

## Dual Junction Coaxial Circulators

Part Number: KTCC-801S1

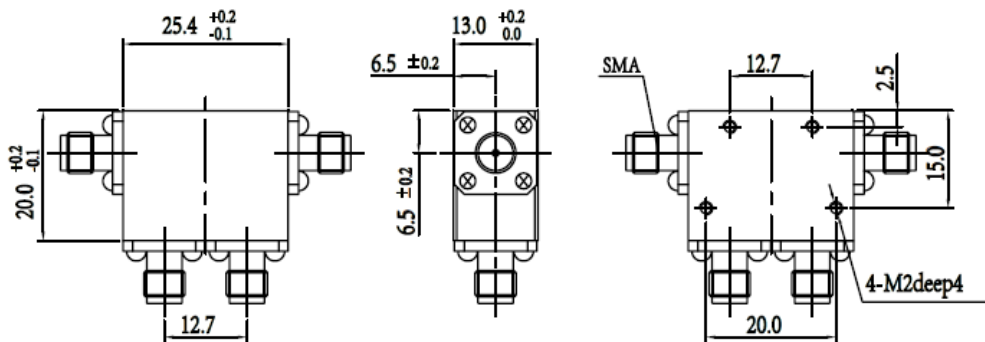
### Main Features:

- Dual Junction, Frequency Range: 7GHz - 20GHz
- Small Size, High Isolation, Low Insertion Loss, High Power Handling
- Wide Operating Temperature: -40°C~+70°C
- Commercial, Military and Space Applications

### Electrical Specifications at Room Temperature:

Part Number	Freq. Range (GHz)	Bandwidth Max. (MHz)	Insertion Loss Max. (dB)	Isolation Min. (dB)	VSWR Max.	Average Power (W)	Connector Type
KTCC-801S1	7 - 20	1500	0.8	40	1.25	20	SMA

### Mechanical Dimensions (mm):



### HOW TO ORDER

