

Dual Junction Coaxial Isolators

Part Number: KTCI-0101AS

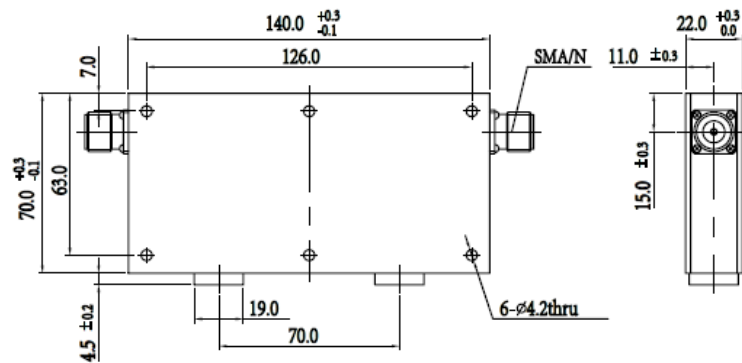
Main Features:

- Dual Junction, Frequency Range: 0.14GHz - 0.25GHz
- Small Size, High Isolation, Low Insertion Loss, High Power Handling
- Wide Operating Temperature: 0~+60°C
- Commercial, Military and Space Applications

Electrical Specifications at Room Temperature:

Part Number	Freq. Range (GHz)	Bandwidth Max. (MHz)	Insertion Loss Max. (dB)	Isolation Min. (dB)	VSWR Max.	Reverse Power	Connector Type
KTCI-0101AS	0.14 - 0.25	10	1.2	36	1.30	10	SMA/N

Mechanical Dimensions (mm):



HOW TO ORDER

