

Coaxial Isolators

Part Number: KTCI0101A-B

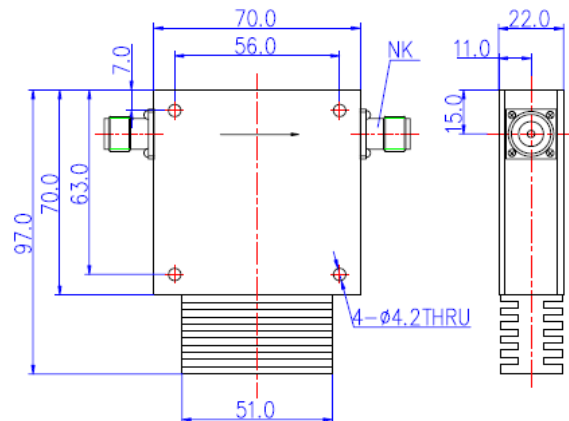
Main Features:

- Frequency Range: 0.14GHz - 0.24GHz
- Small Size, High Isolation, Low Insertion Loss, High Power Handling
- Wide Operating Temperature: 0~+60°C
- Commercial, Military and Space Applications

Electrical Specifications at Room Temperature:

Part Number	Freq. Range (GHz)	Bandwidth Max. (MHz)	Insertion Loss Max (dB)	Isolation Min. (dB)	VSWR Max.	Reverse Power (W)	Connector Type
KTCI0101A-B	0.14 - 0.24	10	0.6	18	1.30	100	SMA/N

Mechanical Dimensions (mm):



HOW TO ORDER

