

## Coaxial Isolators

Part Number: KTCI-101B

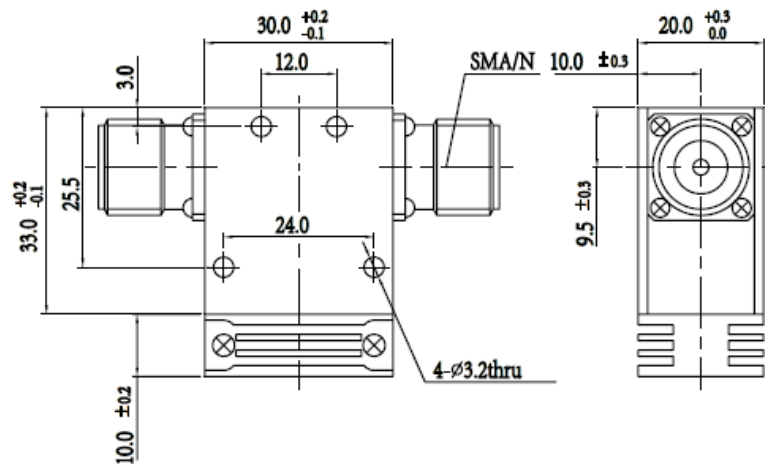
### Main Features:

- Frequency Range: 0.8GHz - 1.4GHz
- High Isolation, Low Insertion Loss, Small Size
- Wide Operating Temperature : -40°C~+85°C
- Commercial, Military and Space Applications

### Electrical Specifications at Room Temperature:

Part Number	Freq. Range (GHz)	Bandwidth Max. (MHz)	Insertion Loss Max. (dB)	Isolation Min. (dB)	VSWR Max.	Reverse Power (W)	Connector Type
KTCI-101B	0.8 - 1.4	100	0.3	23	1.20	100	SMA/N

### Mechanical Dimensions (mm):



### HOW TO ORDER

