

## Drop-in Circulators

Part Number: KTDC- 0402A

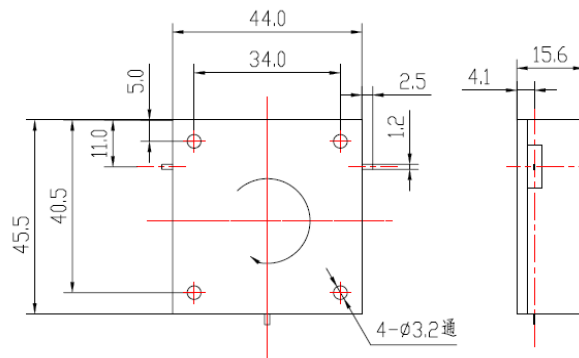
### Main Features:

- Frequency Range: 0.35GHz - 0.55GHz
- Small Size, High Isolation, Low Insertion Loss, High Power Handling
- Wide Operating Temperature: -15°C~+60°C
- Commercial, Military and Space Applications

### Electrical Specifications at Room Temperature:

Part Number	Freq. Range (GHz)	Bandwidth Max. (MHz)	Insertion Loss Max. (dB)	Isolation Min. (dB)	VSWR Max.	Average Power (W)	Connector Type
KTDC-0402A	0.35 - 0.55	40	0.4	20	1.25	150	TAB

### Mechanical Dimensions (mm):



### HOW TO ORDER

