

Drop-in Circulators

Part Number: KTDC-0702M1

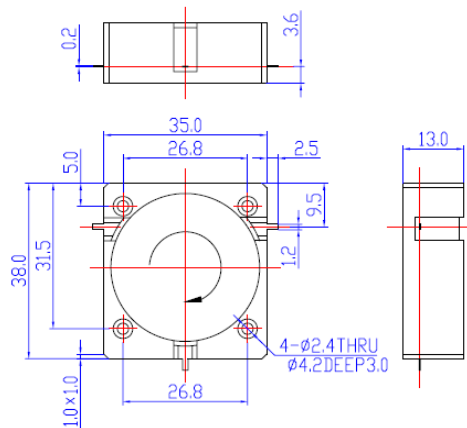
Main Features:

- Frequency Range: 0.5 - 1.0GHz
- Small Size, High Isolation, Low Insertion Loss, High Power Handling
- Wide Operating Temperature: -30°C~+70°C
- Commercial, Military and Space Applications

Electrical Specifications at Room Temperature:

Part Number	Freq. Range (GHz)	Bandwidth Max. (MHz)	Insertion Loss Max. (dB)	Isolation Min. (dB)	VSWR Max.	Average Power (W)	Connector Type
KTDC-0702M1	0.5 - 1.0	70	0.4	23	1.20	150	TAB

Mechanical Dimensions (mm):



HOW TO ORDER

