

## Drop-in Circulators

Part Number: KTDC-102M6

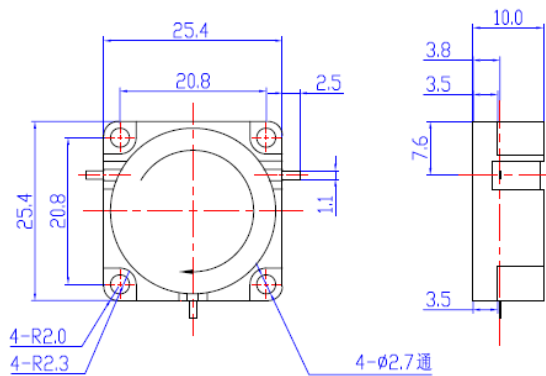
### Main Features:

- Frequency Range: 0.8GHz - 2.2GHz
- Small Size, High Isolation, Low Insertion Loss, High Power Handling
- Wide Operating Temperature: -40°C~+85°C
- Commercial, Military and Space Applications

### Electrical Specifications at Room Temperature:

Part Number	Freq. Range (GHz)	Bandwidth Max. (MHz)	Insertion Loss Max. (dB)	Isolation Min. (dB)	VSWR Max.	Average Power (W)	Connector Type
KTDC-102M6	0.8 - 2.2	70	0.3	23	1.20	100	TAB
KTDC-102M6	0.8 - 2.2	200	0.5	20	1.25	100	TAB

### Mechanical Dimensions (mm):



### HOW TO ORDER

