

## Drop-in Circulators

Part Number: KTDC102M3-100

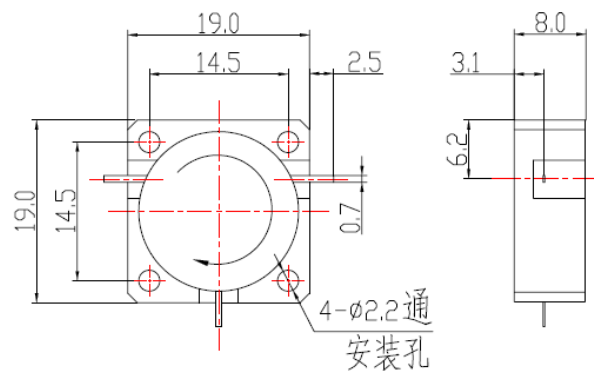
### Main Features:

- Frequency Range: 1.2 - 3.8GHz
- Small Size, High Isolation, Low Insertion Loss, High Power Handling
- Wide Operating Temperature: -40°C~+85°C
- Commercial, Military and Space Applications

### Electrical Specifications at Room Temperature:

| Part Number   | Freq. Range (GHz) | Bandwidth Max. (MHz) | Insertion Loss Max. (dB) | Isolation Min. (dB) | VSWR Max. | Average Power (W) | Connector Type |
|---------------|-------------------|----------------------|--------------------------|---------------------|-----------|-------------------|----------------|
| KTDC102M3-100 | 1.2 - 3.8         | 100                  | 0.4                      | 23                  | 1.20      | 100               | TAB            |
| KTDC102M3-100 | 1.2 - 3.8         | 200                  | 0.5                      | 20                  | 1.25      | 100               | TAB            |

### Mechanical Dimensions (mm):



### HOW TO ORDER

