

## Coaxial Circulators

Part Number: KTCC-0101A

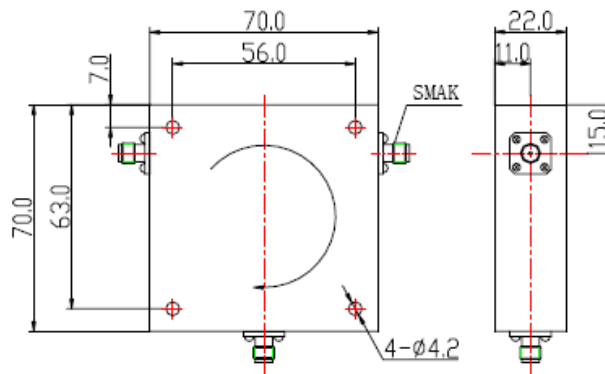
### Main Features:

- Frequency Range: 0.14GHz - 0.24GHz
- Small Size, High Isolation, Low Insertion Loss, High Power Handling
- Wide Operating Temperature: 0~+60°C
- Commercial, Military and Space Applications

### Electrical Specifications at Room Temperature:

Part Number	Freq. Range (GHz)	Bandwidth Max. (MHz)	Insertion Loss Max. (dB)	Isolation Min. (dB)	VSWR Max.	Average Power (W)	Connector Type
KTCC-0101A	0.14 - 0.24	10	0.6	18	1.30	200	SMA/N

### Mechanical Dimensions (mm):



### HOW TO ORDER

