

Coaxial Circulators

Part Number: KTCC-0301A

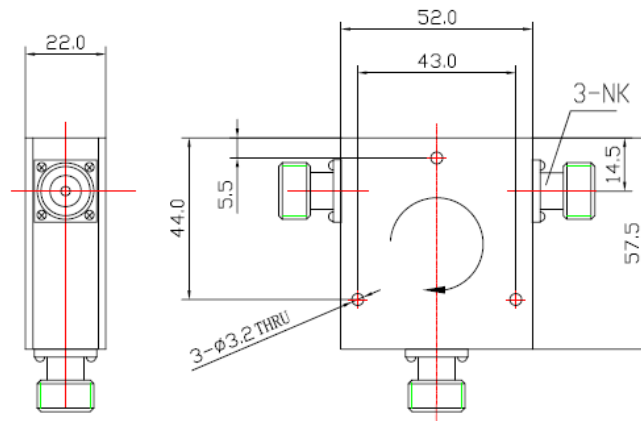
Main Features:

- Frequency Range: 0.25GHz - 0.45GHz
- Small Size, High Isolation, Low Insertion Loss, High Power Handling
- Wide Operating Temperature: -15°C~+60°C
- Commercial, Military and Space Applications

Electrical Specifications at Room Temperature:

Part Number	Freq. Range (GHz)	Bandwidth Max. (MHz)	Insertion Loss Max. (dB)	Isolation Min. (dB)	VSWR Max.	Average Power (W)	Connector Type
KTCC-0301A	0.25 - 0.45	30	0.4	20	1.25	150	SMA/N

Mechanical Dimensions (mm):



HOW TO ORDER

