

## Coaxial Circulators

Part Number: KTCC-201F

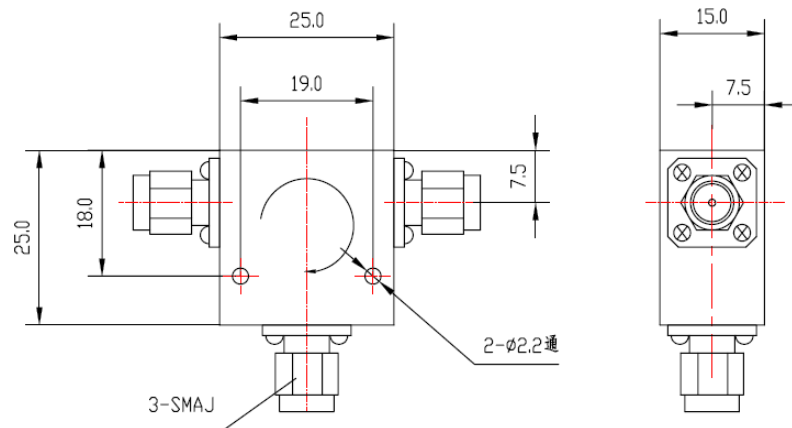
### Main Features:

- Broad Option of Frequency Range: 2.0GHz - 4.0GHz
- High Isolation, Low Insertion Loss, Small Size
- Wide Operating Temperature : -30°C~+70°C
- Commercial, Military and Space Applications

### Electrical Specifications at Room Temperature:

Part Number	Freq. Range (GHz)	Bandwidth Max. (MHz)	Insertion Loss Max. (dB)	Isolation Min. (dB)	VSWR Max.	Average Power (W)	Connector Type
KTCC-201F	2.0 - 4.0	300	0.4	23	1.20	20	SMA

### Mechanical Dimensions (mm):



### HOW TO ORDER

